

Owner's Manual

CEDAR RIVER LIGHTED GAZEBO 10X12 WITH NETTING

KSN Code: 0-04726497-3

UPC Code: 749241313127

Date of purchase: ____/____/____

SAFETY INFORMATION

Please read and understand this entire manual before attempting to assemble, operate or install the product. If any parts is missing or damaged, do not attempt to assemble the product.

Two to four people are needed for assembly.

Load of the hook on the roof: 50 lbs. (max)

In order to avoid damage to the shelter and its components, use appropriate tools.

Check all screws on a regular basis to maintain the solidity of the structure.

Keep instructions and parts list for further use.

Estimated Assembly Time: Approx. 2 - 4 hours

Tools required for Assembly (not included): Ladder, 5 ft. (at least 5 ft. during assembly).

WARNING

KEEP ALL FLAME AND HEAT SOURCES AWAY FROM TENT FABRIC.

This tent meets the flammability requirements of CPAI-84. The fabric may burn if left in continuous contact with any flame source. The application of any foreign substance to the tent fabric may render the flame-resistant properties ineffective.

CAUTION

Do not leave outside during high winds, heavy rains or snow.

The mosquito nets and canopy must be removed for winter storage.

WARRANTY

1 year limited warranty.

Limited warranty applicable on parts only. Warranty extends solely to the original purchaser, who must offer the original sales receipt for record.

EXCLUDED

Damages due to vandalism, abuse and wrong use of the product is not covered by the warranty.

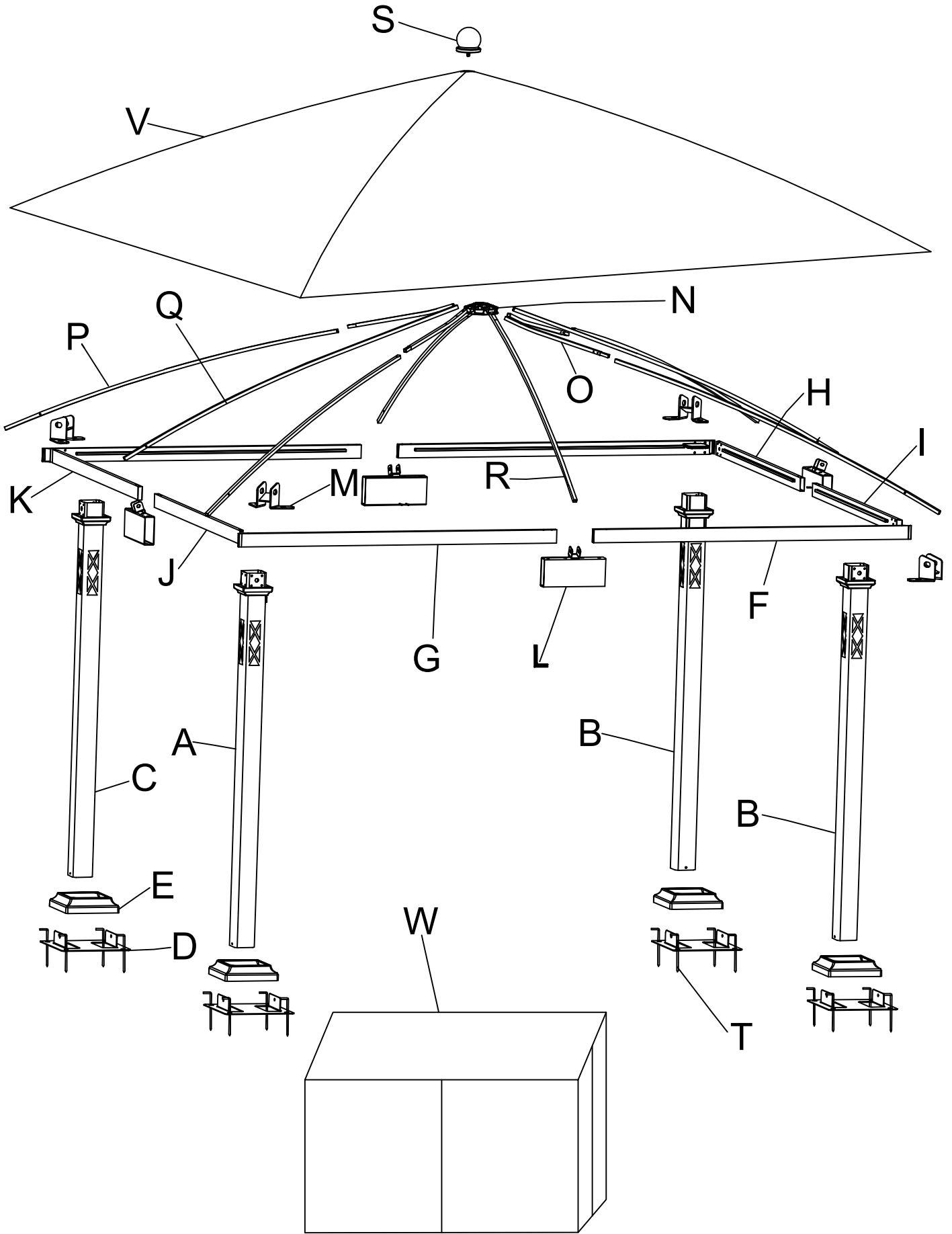
Damages due to extreme weather conditions such as thunderstorm and windstorm.

MAINTENANCE




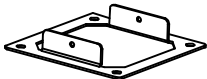
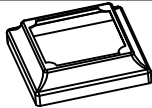
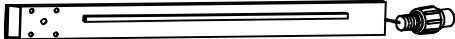
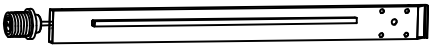




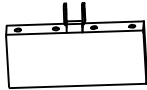
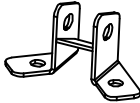

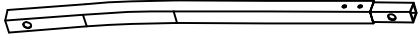
If this shelter needs repairs, **DO NOT RETURN THE PRODUCT TO Kmart.**





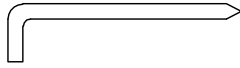
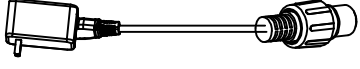
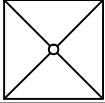
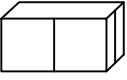
Please contact Bond Vast at 1-800-961-9838, 9AM ~ 5PM, Pacific Time Zone, Monday - Friday.

Or email us: customerservice@bondvast.com.

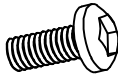
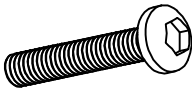


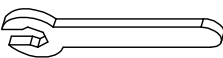


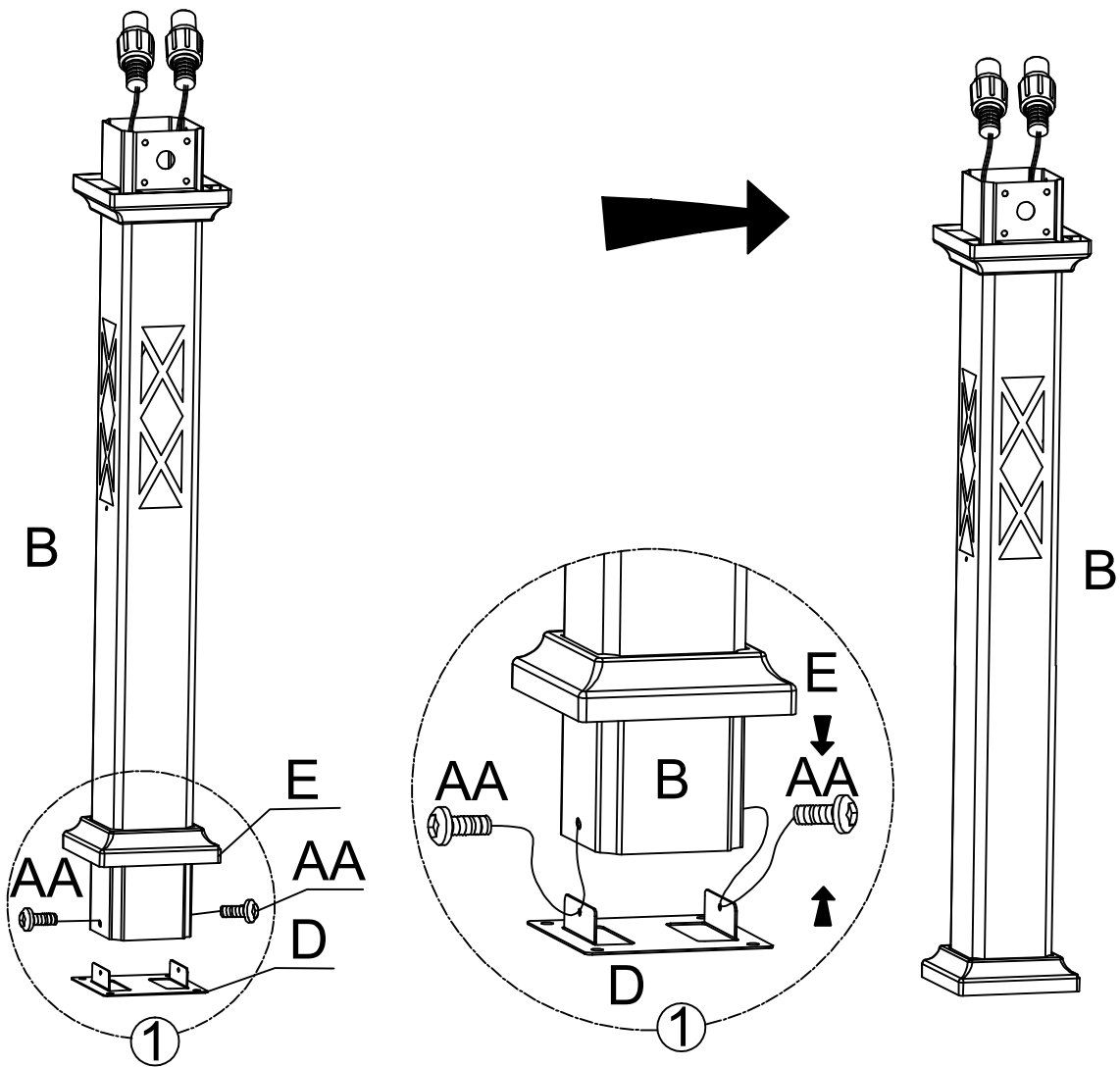
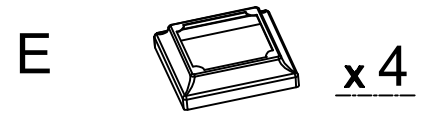
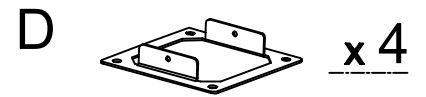
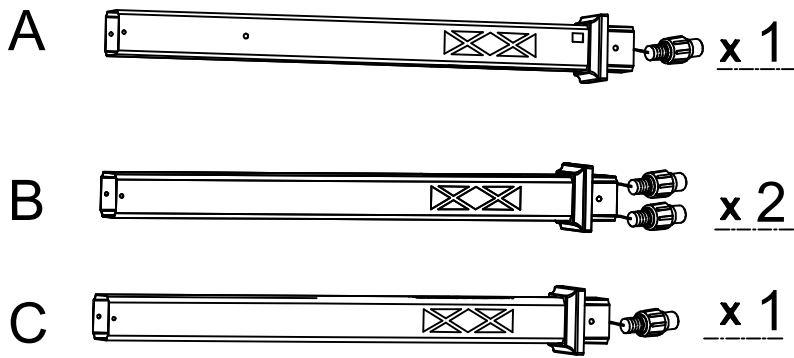
Parts list

Item	Description	Qty	Illustration
A	Post A	1	
B	Post B	2	
C	Post C	1	
D	Base flange	4	
E	Base cap	4	
F	Long crossbar A (with wire)	2	
G	Long crossbar B (with wire)	2	
H	Short crossbar A (with wire)	1	
I	Short crossbar B (with wire)	1	
J	Short crossbar C	1	
K	Short crossbar D	1	
L	Center connector	4	
M	Corner connector	4	
N	Roof connector	1	
O	Corner short roof tube	4	

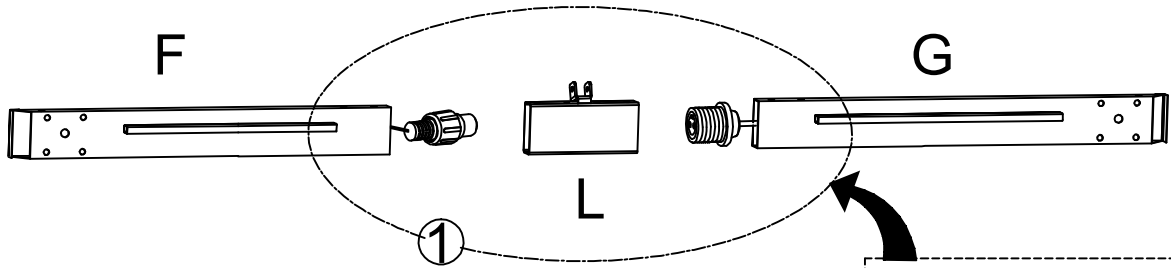
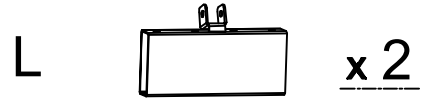
Item	Description	Qty	Illustration
P	Corner roof tube	4	
Q	Long roof tube	2	
R	Short roof tube	2	
S	Finial	1	
T	Stake	16	
U	AC adapter	1	
V	Canopy	1	
W	Mosquito net	1	

Hardware kit

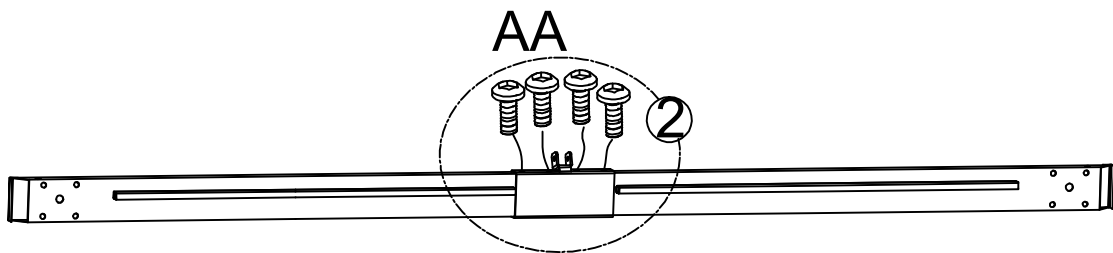
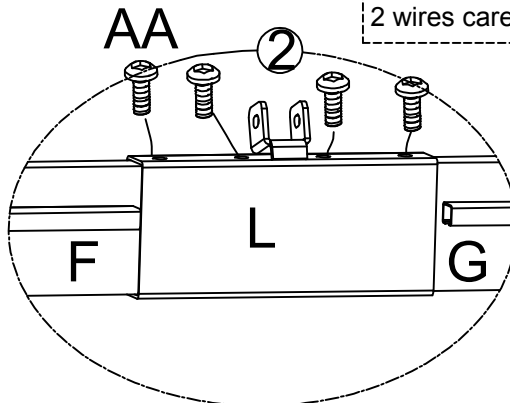
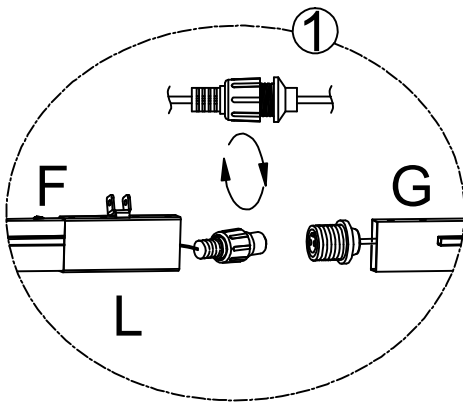
Item	Description	Qty	Illustration
AA	Screw 1 M6 x 15mm	64	
BB	Screw 2 M6 x 35mm	8	
CC	Bolt nut	8	
DD	Allen wrench	1	
EE	Spanner	1	



1. Insert base cap (E) into post (B), then using screw (AA) secure base flange (D) on the bottom of post (B).
Repeat for remaining post (B), post (A) and Post (C).



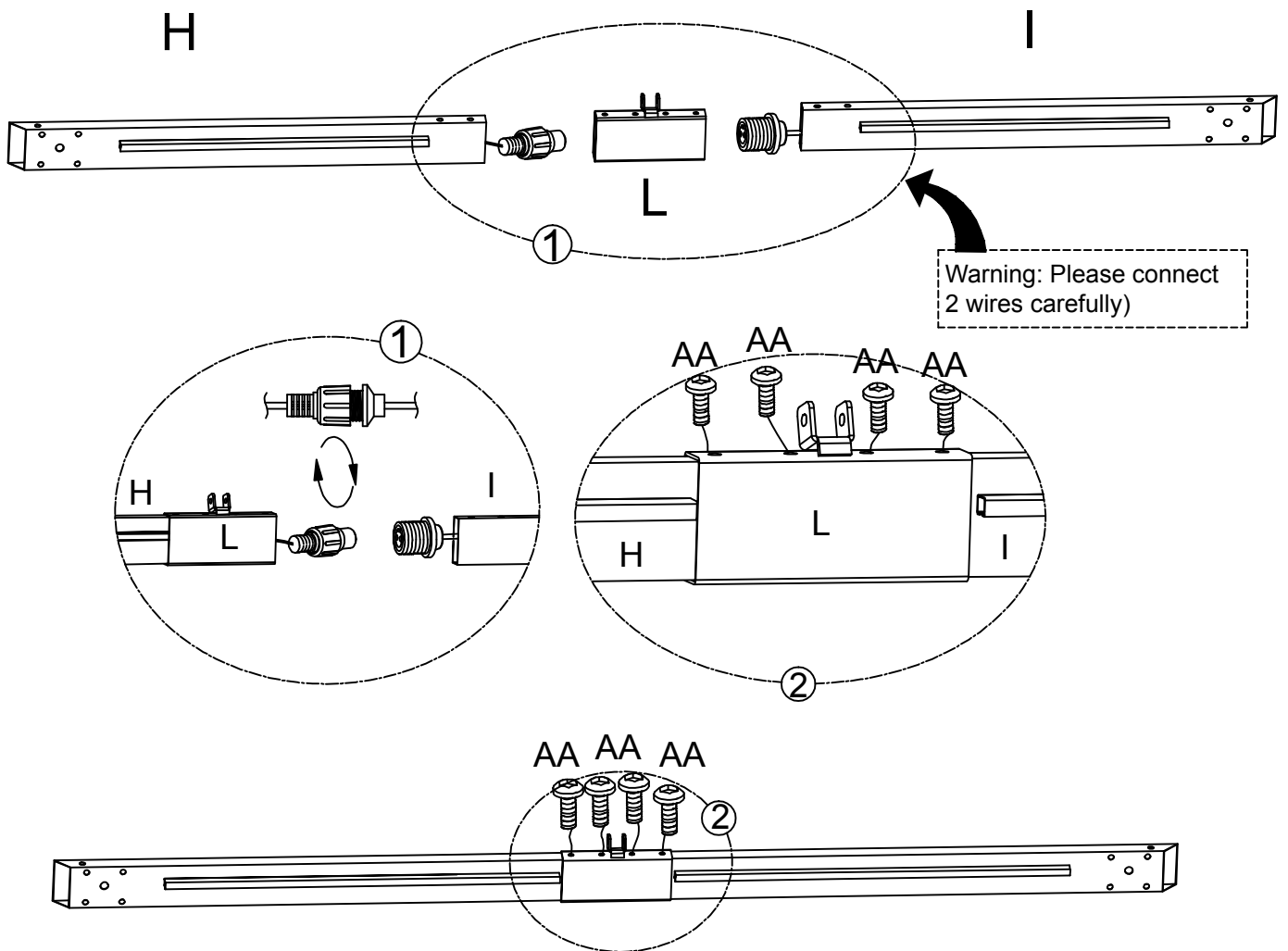
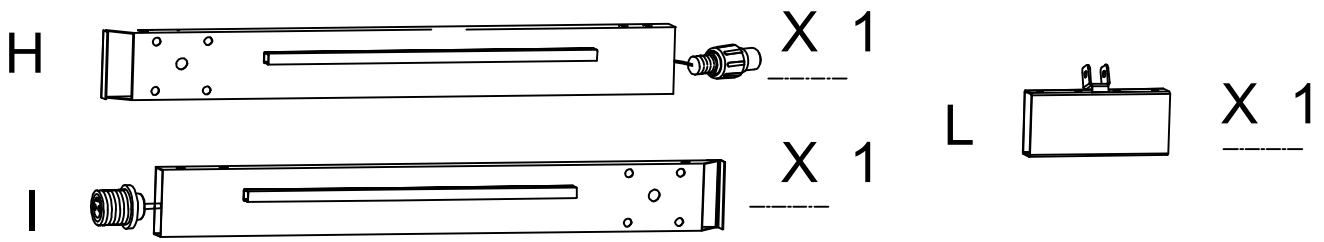
Warning: Please connect 2 wires carefully)



1. Insert long crossbar A (F) into center connector (L), then connect (F) and (G) wires in clockwise as figure 1 shown, insert screw 1 (AA) through center connector (L) to secure long crossbar A (F) and long crossbar B (G) as figure 2 shown.

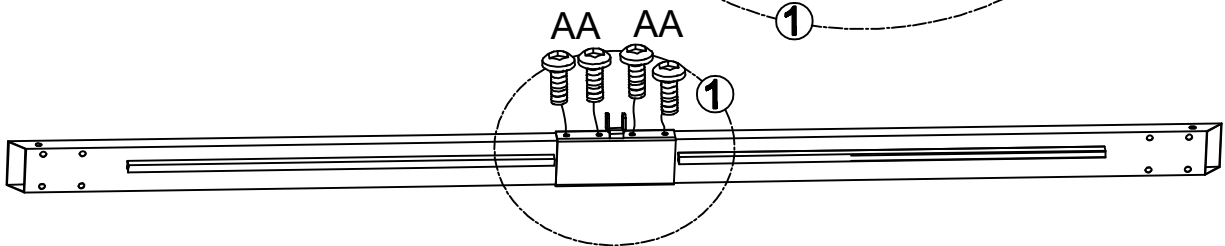
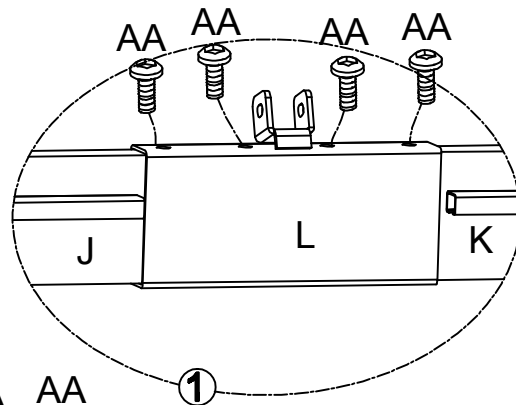
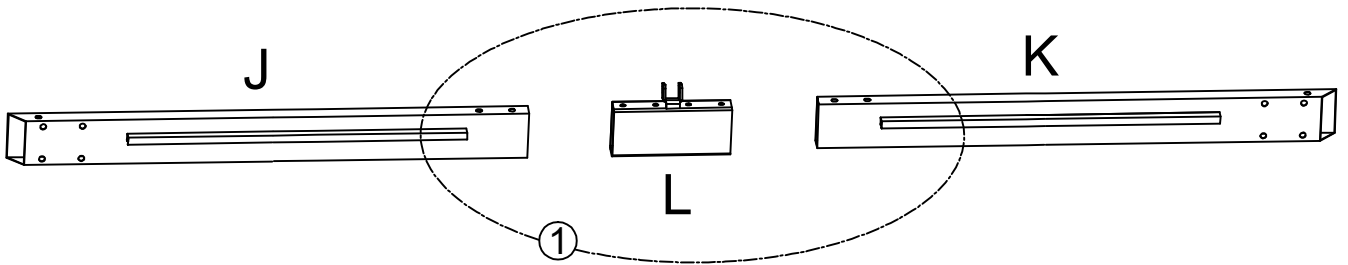
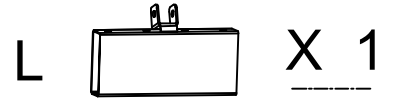
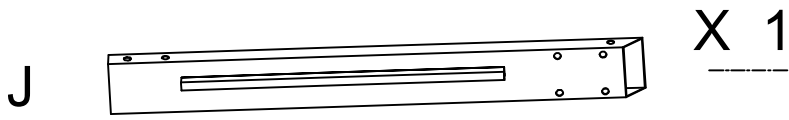
Repeat for remaining long crossbar A (F) and long crossbar B (G).

Notes: Please check above fig. carefully and make sure all the parts in right position.



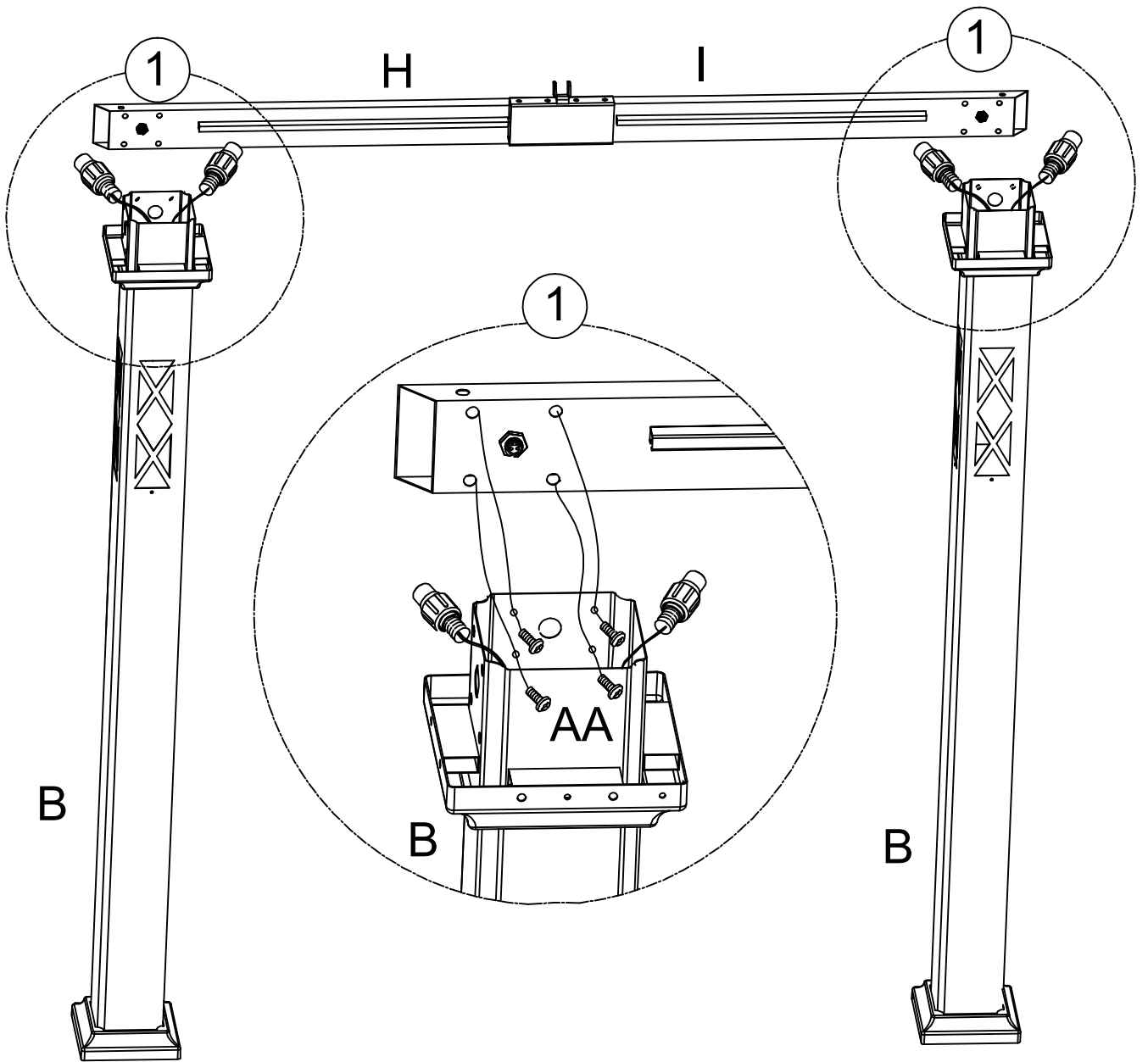
1. Insert short crossbar A (H) into center connector (L), then connect (H) and (I) wires in clockwise as figure 1 shown, insert screw 1 (AA) through center connector (L) to secure short crossbar A (H) and short crossbar B (I) as figure 2 shown.

Notes: Please check above fig. carefully and make sure all the parts in right position.



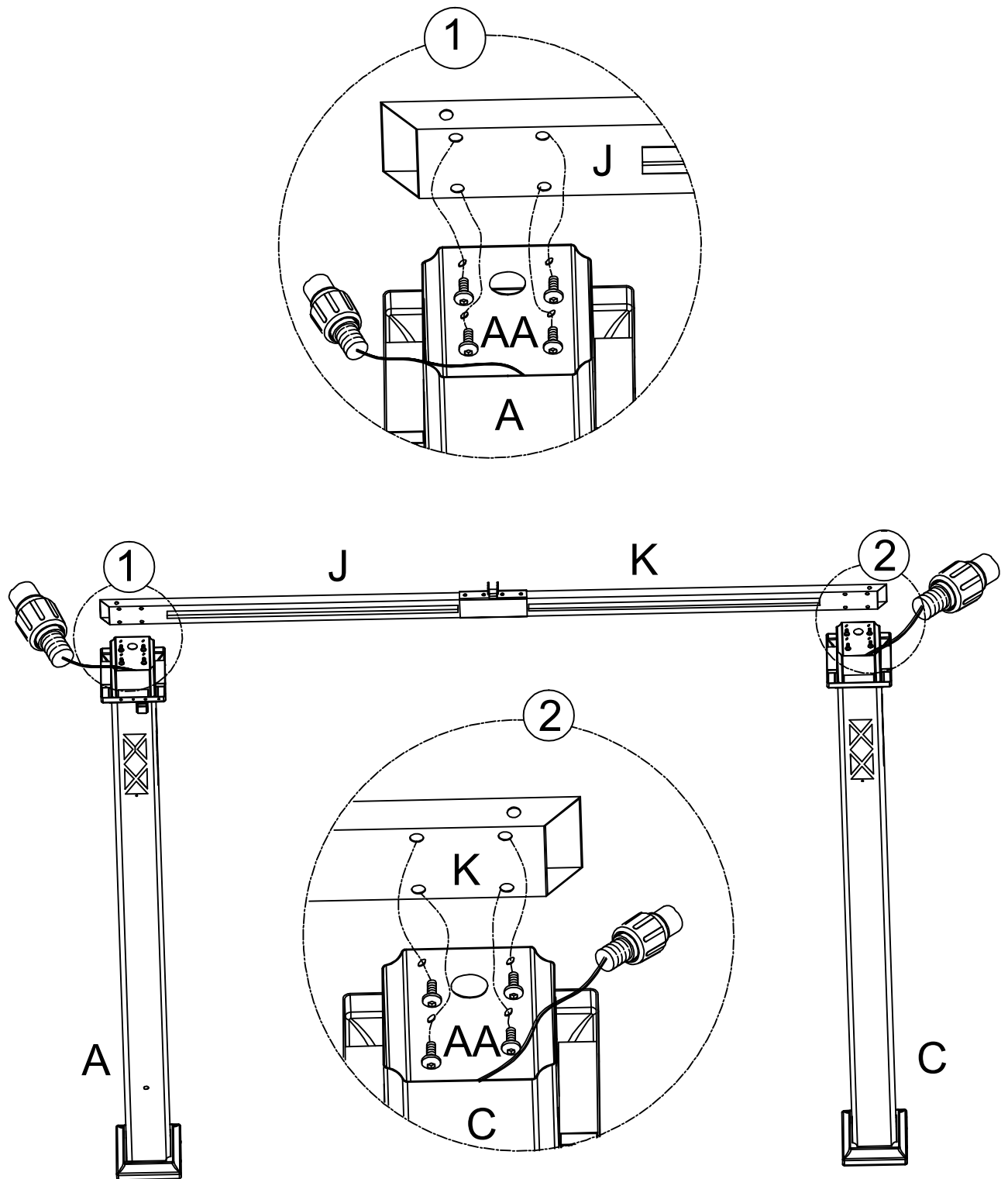
1. Insert short crossbar C (J) and short crossbar D (K) into center connector (L), then insert screw 1 (AA) through center connector (L) to secure short crossbar C (J) and short crossbar D (K) as figure shown.

Notes: Please check above fig. and make sure all the parts in right position.

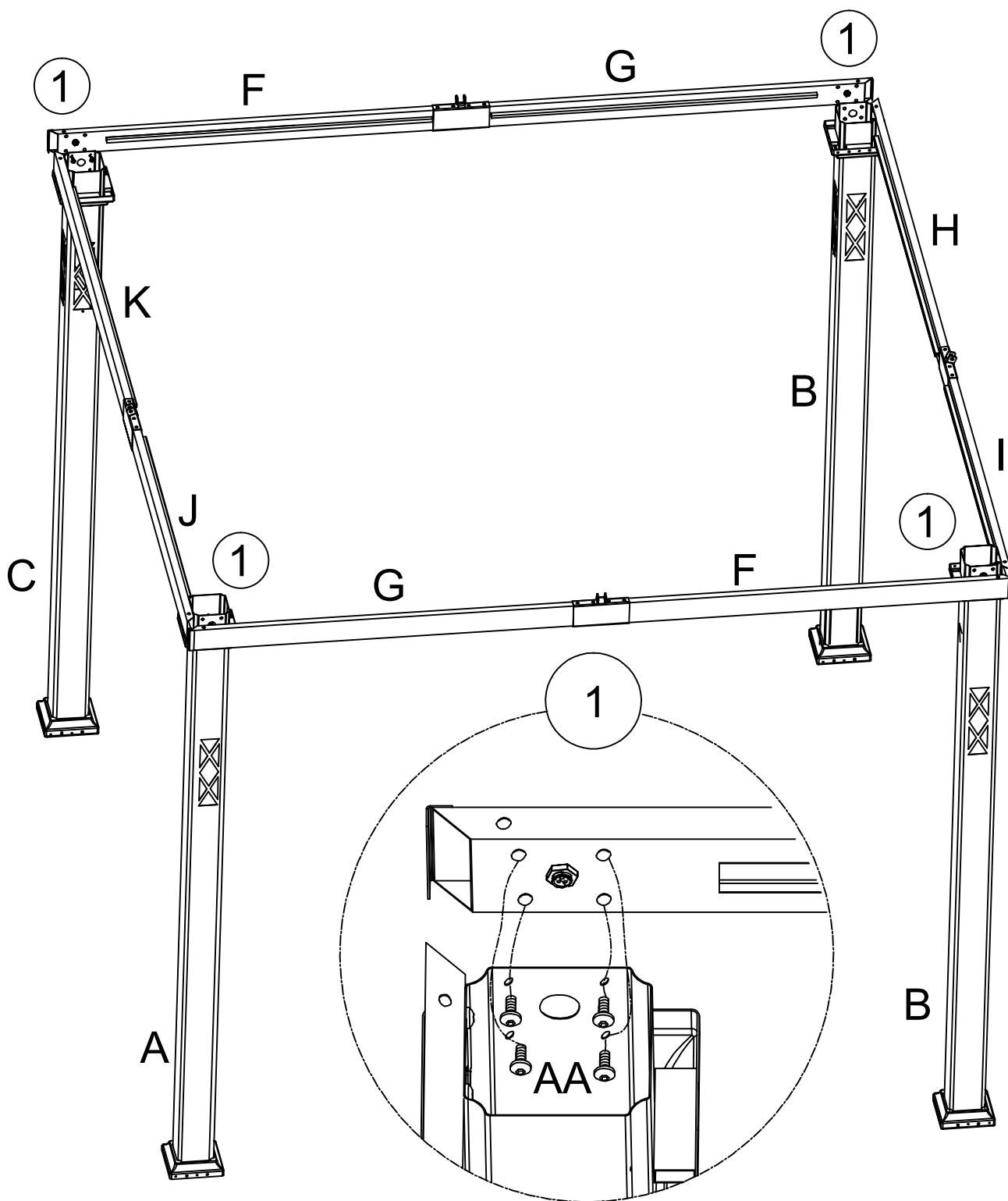


1. Place assembled short crossbar set (H, I) over the post (B), insert screw 1 (AA) through post (B) secure with short crossbar set as figure shown.

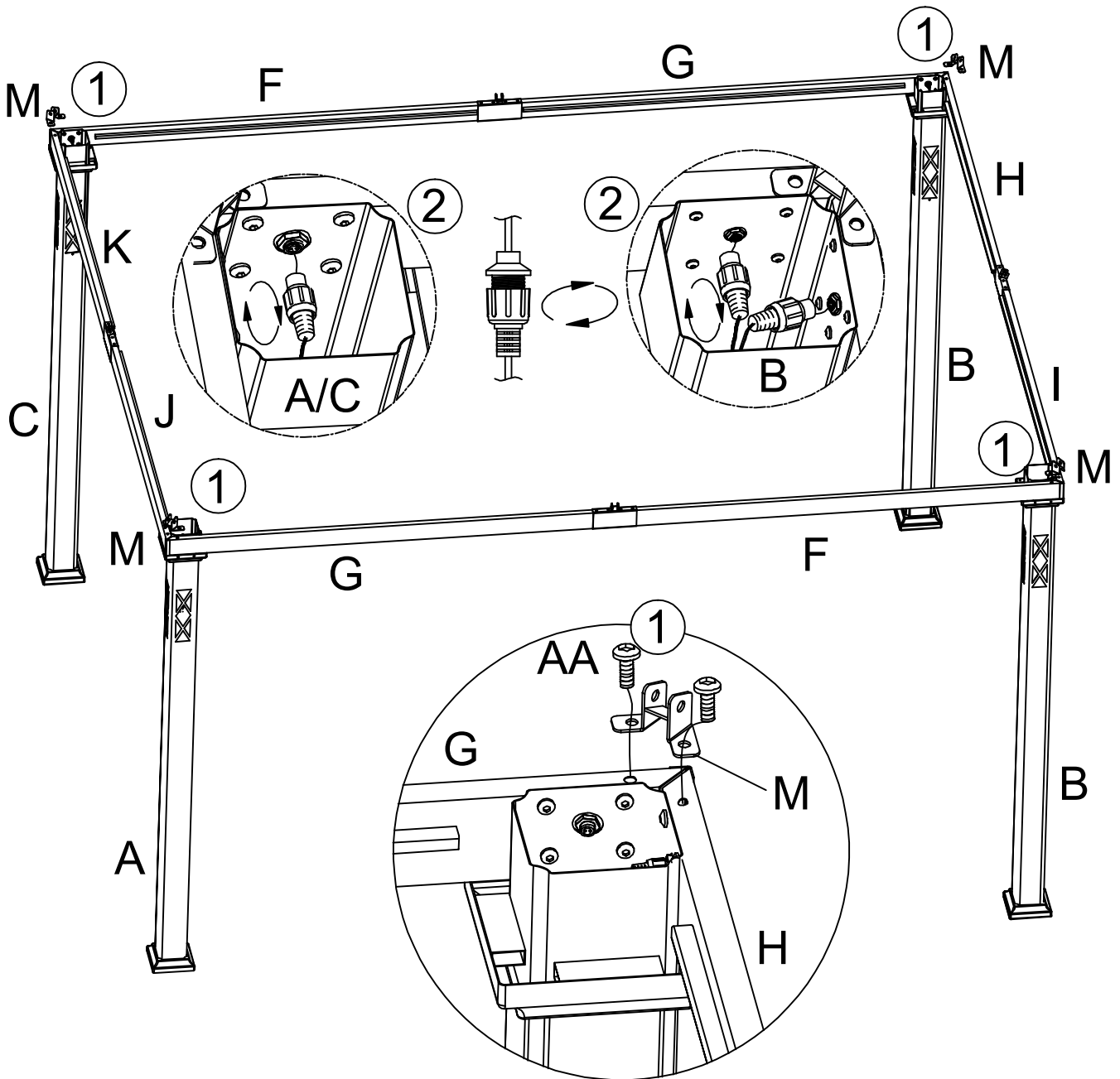
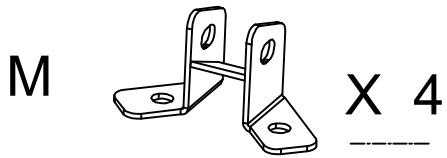
Notes: Please check above fig. and make sure all the parts in right position.



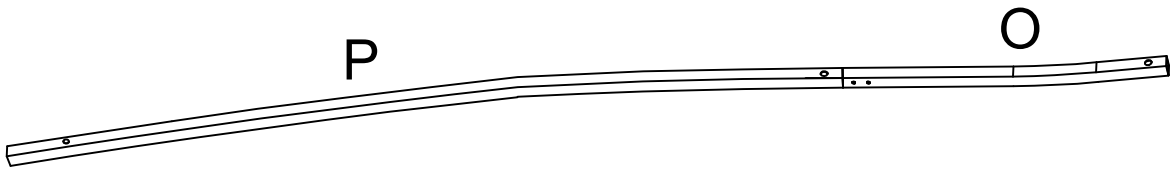
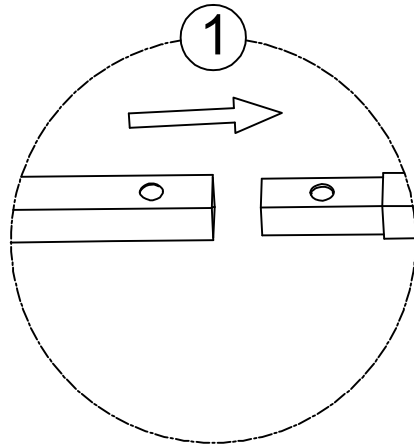
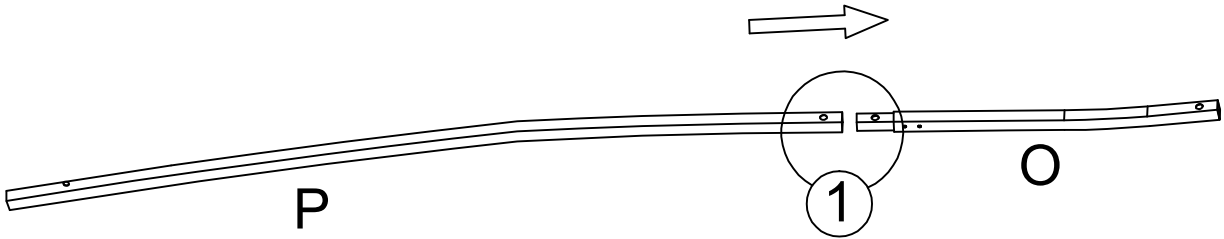
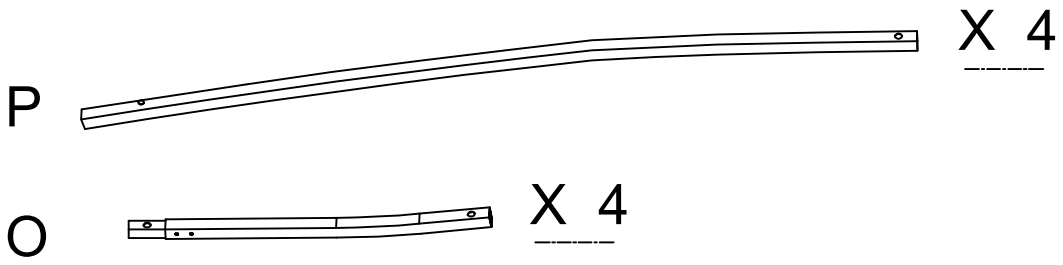
1. Place assembled short crossbar set (J, K) over the post (A) and post (C), insert screw 1 (AA) through post (A) secure with short crossbar (J) as figure 1 shown. Repeat for post (C) as figure 2 shown.
Notes: Please check above fig. carefully and make sure all the parts in right position.



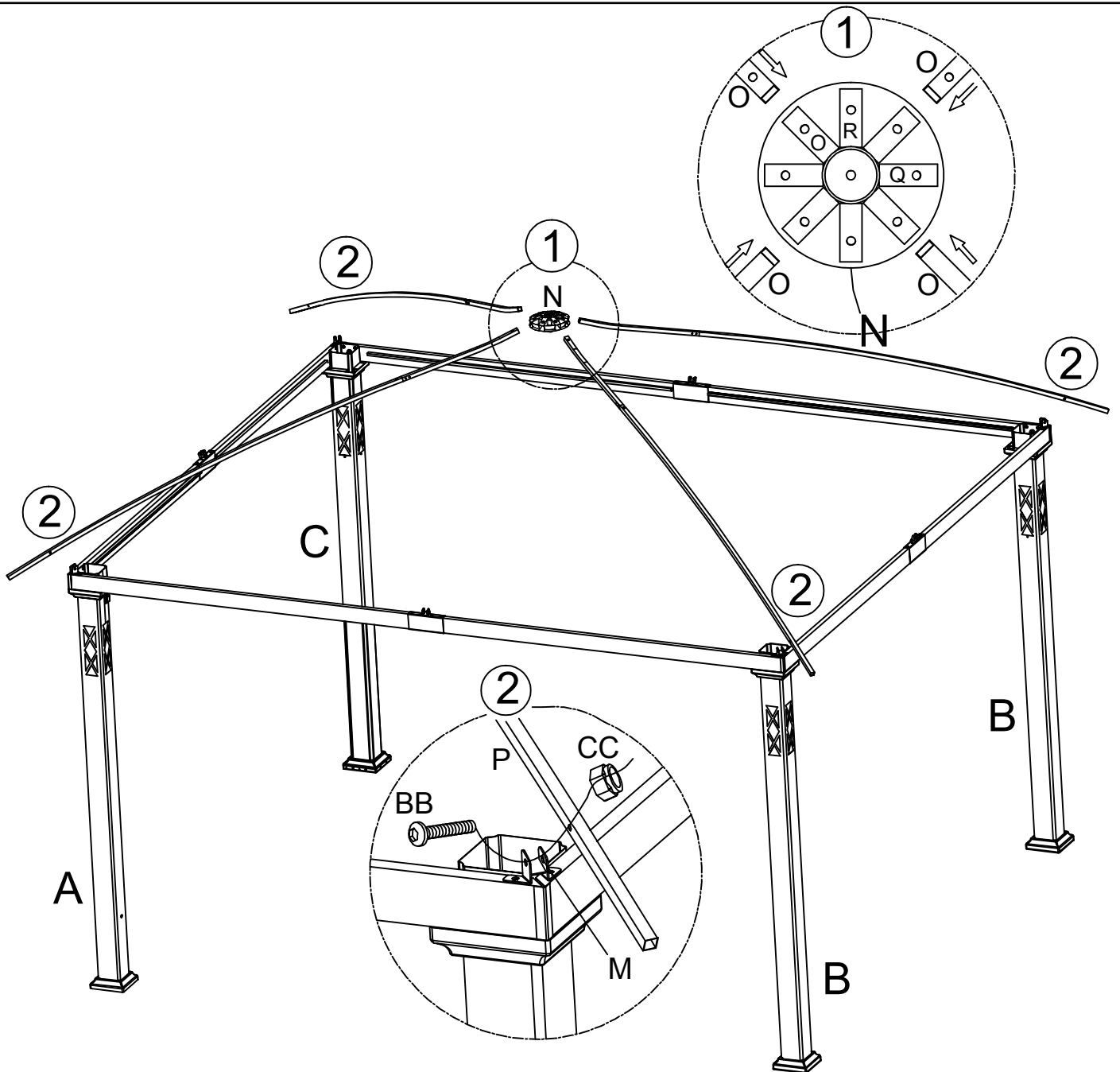
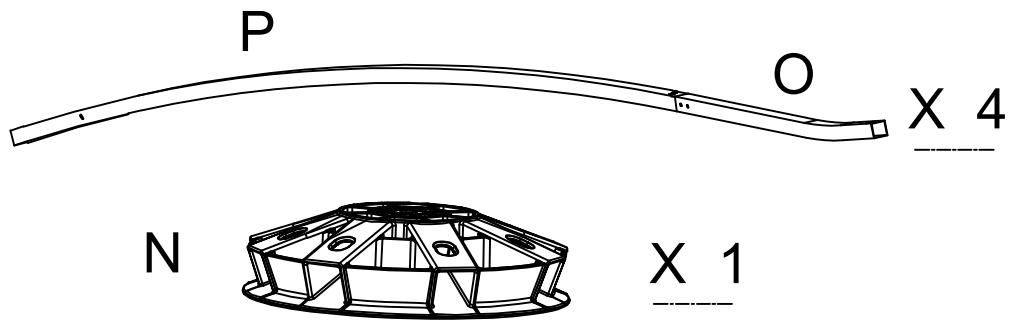
1. Place long crossbar set (F, G) over post (A) and post (B), insert screw 1 (AA) through post secure with crossbar set as figure 1 shown.
 2. Place the remaining long crossbar set (F, G) over post (C) and post (B), insert screw 1 (AA) through post secure with crossbar set as figure 1 shown.
- Notes: Please check above fig. carefully and make sure all the parts in right position.



1. Secure corner connector (M) onto crossbar (G) and crossbar (H) by using screw 1 (AA) as figure 1 shown.
Repeat for remaining corner connector (M).
2. Connect all wire inside of post (A, B, C) as figure 2 shown.



1. Insert corner short roof tube into corner roof tube (P) as figure shown. Repeat for remaining corner short roof tube (O) and corner roof tube (P).

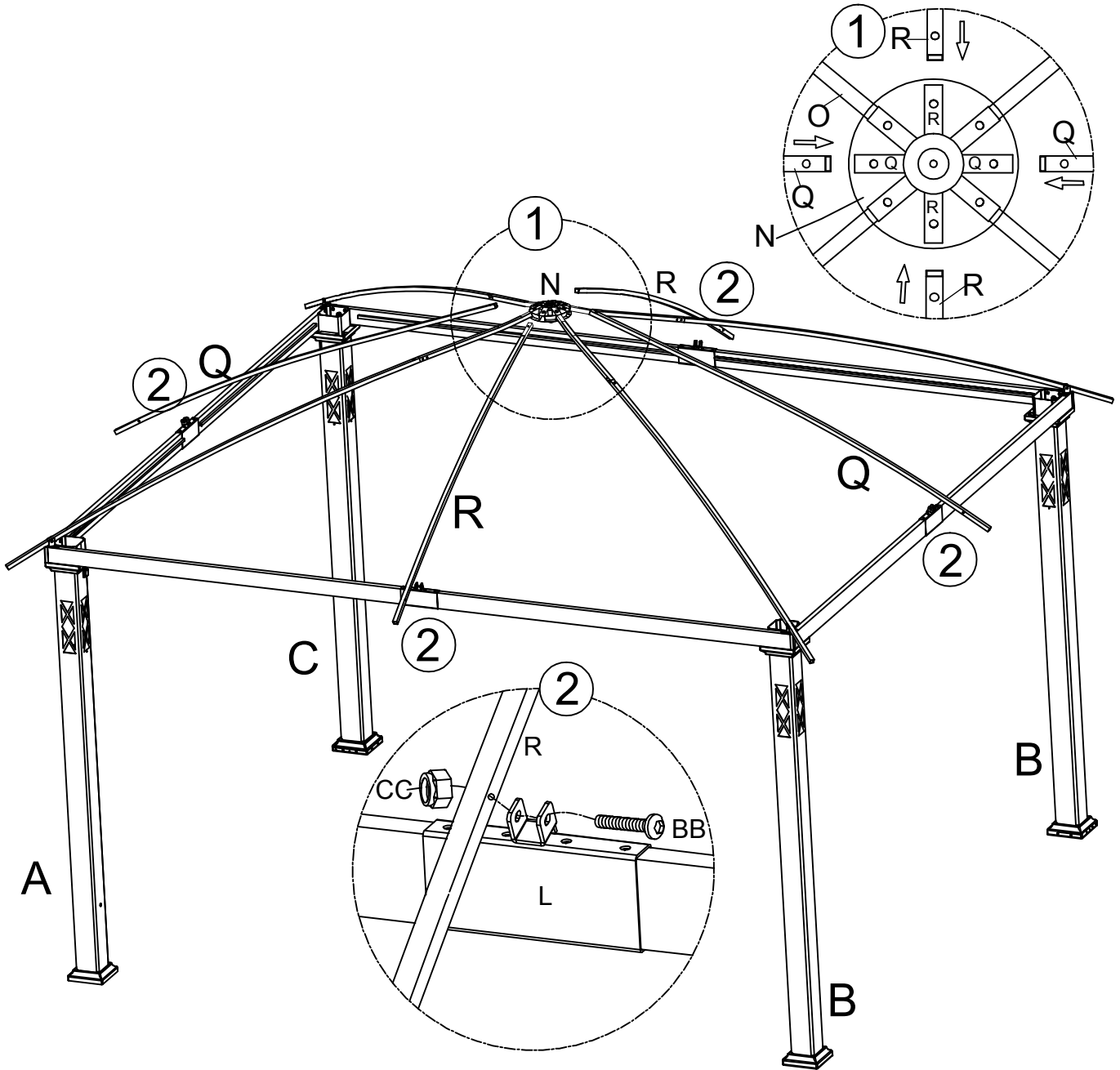


1. Insert corner short roof tube (O) into roof connector (N) as figure 1 shown, then secure corner roof tube (P) with corner connector (M) by using screw 2 (BB) and bolt nut (CC) as figure 2 shown. Repeat for all remaining roof tube sets (O & P).

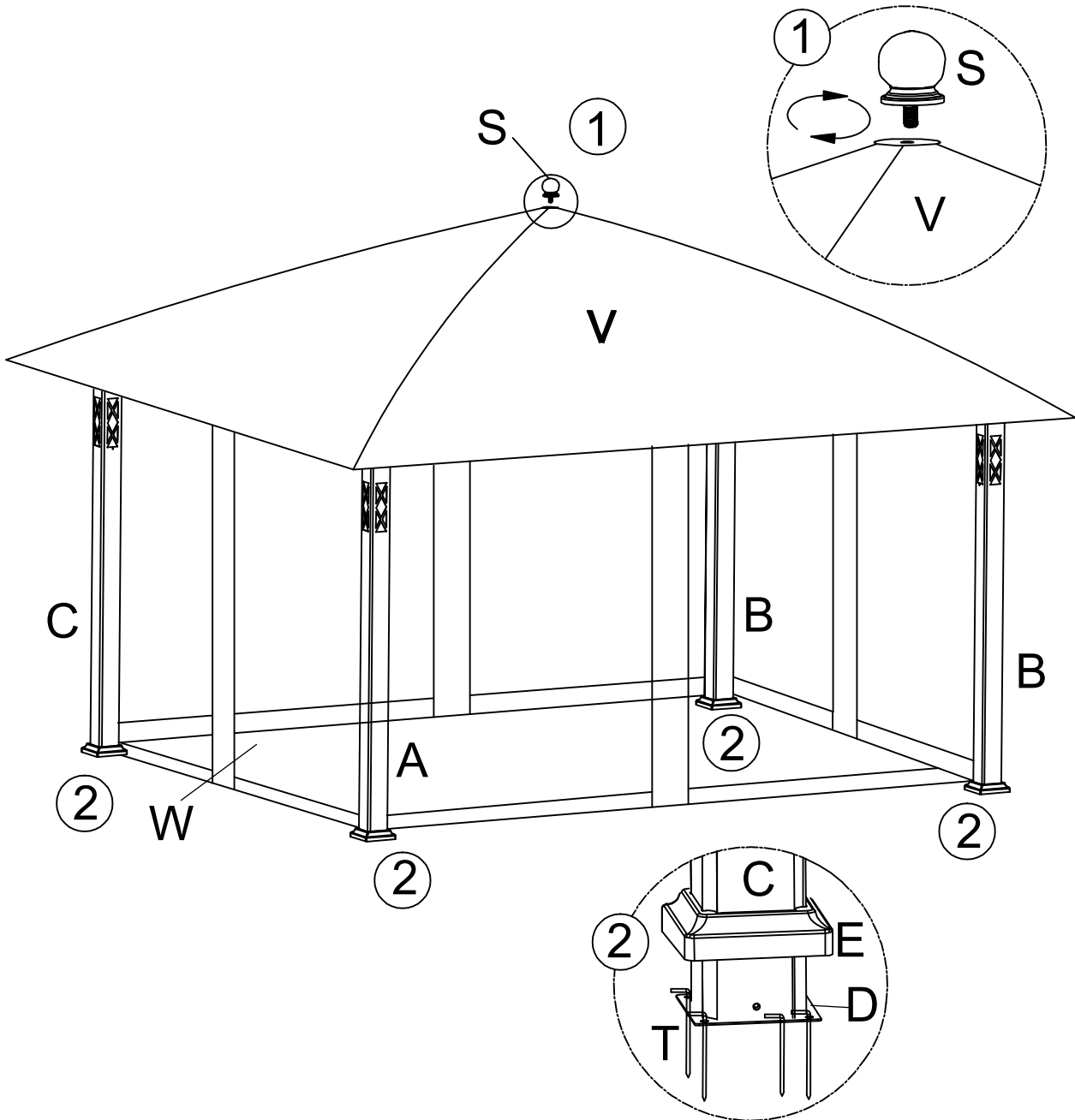
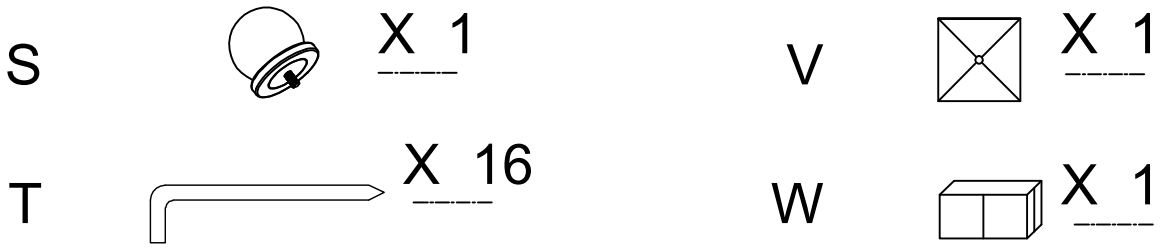
Q



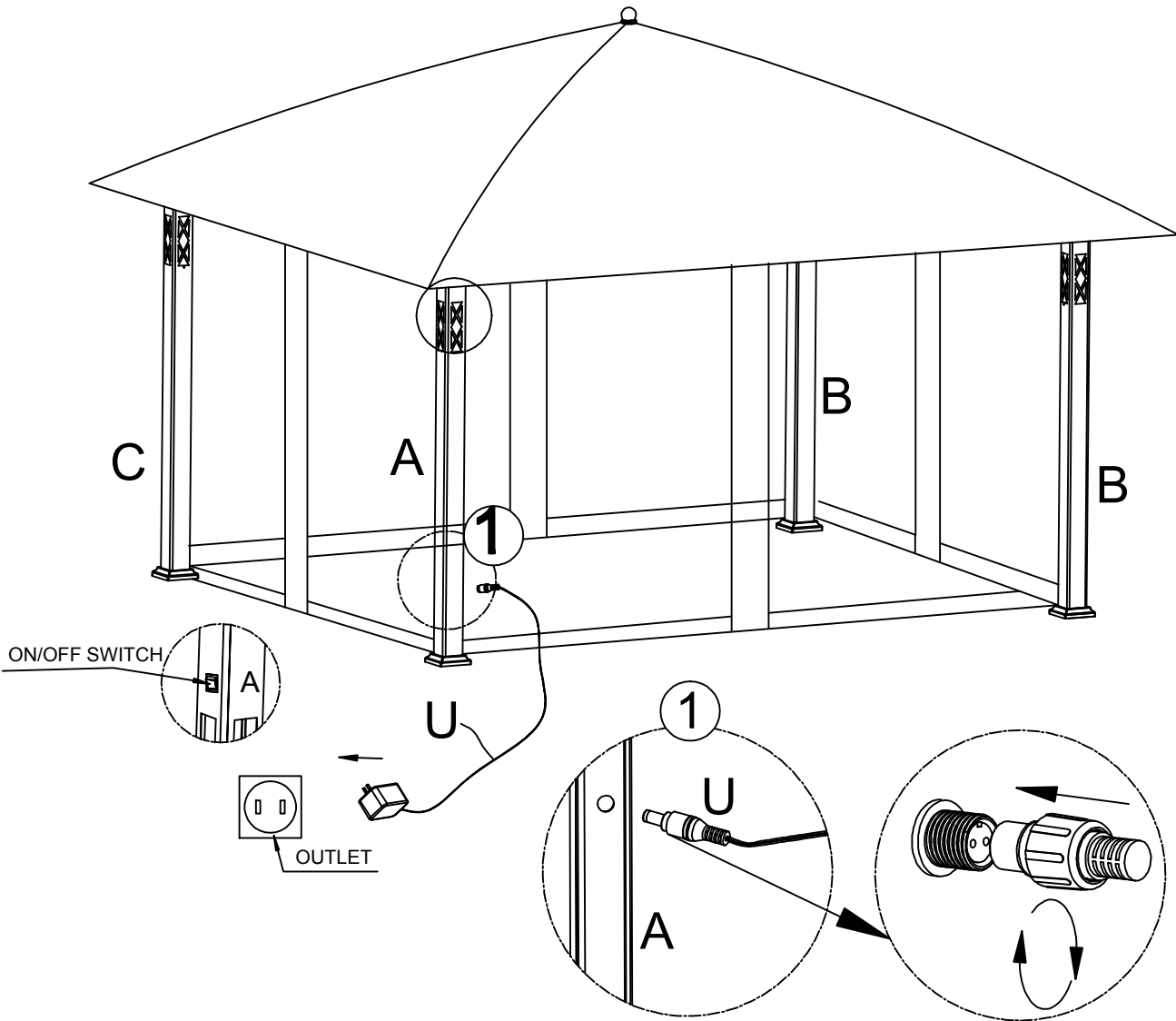
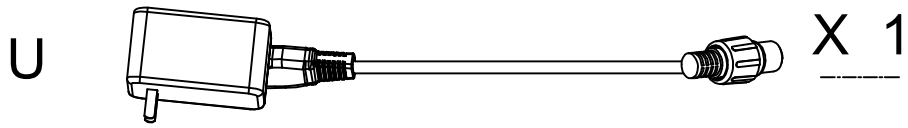
R



1. Insert short roof tube (R) into roof connector (N), then secure the end section of short roof tube (R) with center connector (L) by using screw 2 (BB) and bolt nut (CC) as figure 2 shown. Repeat for remaining short roof tube (R) and long roof tube (Q).



1. Position one person on 5 ft ladder, following ladder's safety recommendations, to avoid danger, so that person can reach top of gazebo. Place fabric cover (V) on top, then secure the finial (S) on the top as figure 1 shown.
2. Hang mosquito net (W) by hooks.
3. Raise base cap (E) and secure stakes (T) through base flange (D) into the ground.



1. Please ensure all of the wires are connected properly then connect AC adapter (U) on the bottom of post (A) in clockwise.

USER MAINTENANCE INSTRUCTIONS:

- In preparation for winter storage, remove leaves and dirt, dry and wrap in polybag to prevent rusting.
- Store in dry place.
- Treat steel frame periodically with liquid wax for maximum protection against UV rays and moisture.
- Poly netting clean with a soft brush and lukewarm water, rinse thoroughly. Dry completely.
- Do not wash with soap as it may remove the protective coatings added by the factory.

Special Care Sheet:

- Do NOT use the AC adapter during precipitation or inclement weather. Do NOT leave the AC adapter outside, place and store in dry place.
- Keep the AC adapter away from babies and children.
- In order to protect the LED lights, do NOT break the Acryl panel of the post.
- All lighting equipment is designed to prevent humidity and moisture, please do not disassemble.
- When NOT using period of time, please turn off the power switch and unplug the AC adapter.
- Please connect all cables securely before plugging in power cable into power outlet.
- All the parts are special design for this product only, changes or modifications not approved by the party responsible for compliance could void the user's authority to operate the equipment. The manufacture will not be held liable for any direct, indirect, incidental or consequential damages. Some states do not allow limitations on how long an implied warranty lasts, or the exclusion or limitation of incidental or consequential damages, so the above limitations may not apply to you.

Bond Vast Industrial Limited
Bao Tang Industrial Jing Lian
Chiao Tou Town Dong Guang City
Guang Dong Province
China 523 538



Please refer to part numbers when reordering

For questions or comments about product:

Email: customerservice@bondvast.com or Call toll-free: 1-800-961-9838

Made in / Hecho en CHINA for Kmart Corporation, Hoffman Estates, IL 60179

See our extensive assortment of outdoor living products
on-line at ww.sears.com and www.kmart.com