

---

# Owner's Manual

## SUNSET BEACH HARDTOP BAR WITH GRANITE AND 2 STOOLS

Product Code: D71 M34473

UPC Code: 749241314360

Date of purchase: \_\_\_\_/\_\_\_\_/\_\_\_\_

## **SAFETY INFORMATION**

Please read and understand this entire manual before attempting to assemble, operate or install the product. If any parts is missing or damaged, do not attempt to assemble the product.

Two to four people are needed for assembly.

Load capacity of the chair: 400 lbs. (max)

In order to avoid damage to the shelter and its components, use appropriate tools. Do not use the structure as a support.

Check all screws on a regular basis to maintain the solidity of the structure.

Keep instructions and parts list for further use.

Estimated Assembly Time: Approx. 2 - 3 hours

## **NOTICE**

THIS ARTICLE DOES NOT MEET CALIFORNIA BUREAU OF HOME FURNISHING'S FLAMMABILITY REQUIREMENTS TECHNICAL BULLETIN 117. CARE SHOULD BE EXERCISED NEAR OPEN FLAME OR WITH BURNING CIGARETTES.

## **CAUTION**

Do NOT tighten all parts before assembly is complete.

Do NOT overtighten any of the bolts as this may damage the threads. Tighten each bolt firmly and properly.

Do NOT sit or stand on the table.

Do NOT use power tools to assemble this product.

Repeated assembly can weaken the locking ability of the washers. Periodically check all bolted connections on your furniture to make sure they are tight and secure. Retain these instructions for future reference.

Some parts may contain sharp edges. Wear protective gloves as necessary.

Always place the cushions on seat frame of the chair to avoid damage to the piece.

This outdoor furniture is designed and made for personal, non-commercial use. It should not be used as a toy or a tool. Children under age of 16 should not be engaged in assembly, removal or disassembly. Children under age of 10 should be supervised by a competent adult while using this furniture. Small parts like bolt screws may pose a choking hazard to young children. Keep out of reach of small children.

## **WARRANTY**

1 year limited warranty.

Limited warranty applicable on parts only. Warranty extends solely to the original purchaser, who must offer the original sales receipt for record.

## **EXCLUDED**

Damages due to vandalism, abuse and wrong use of the product is not covered by the warranty.

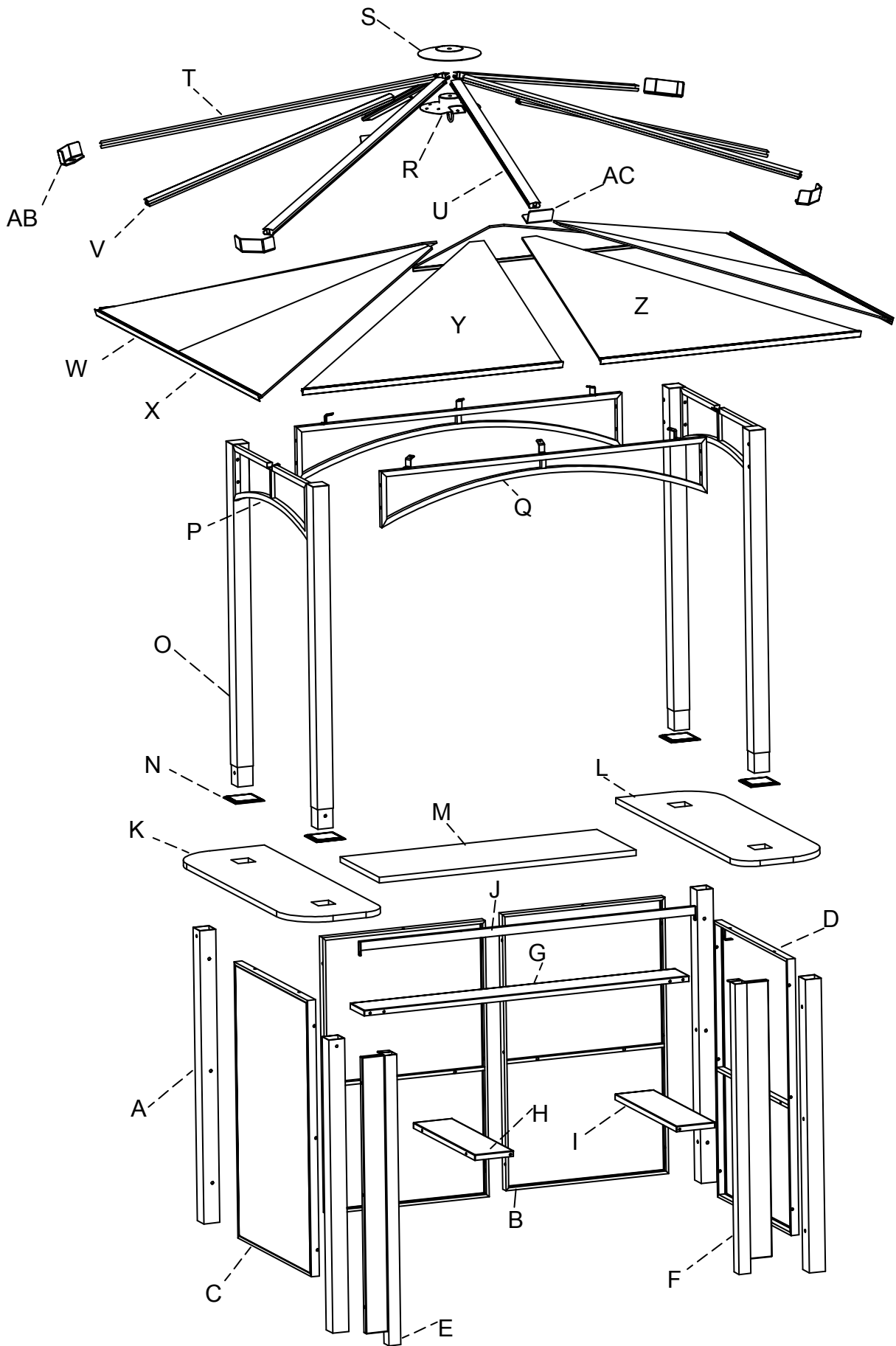
Damages due to extreme weather conditions such as thunderstorm and windstorm.

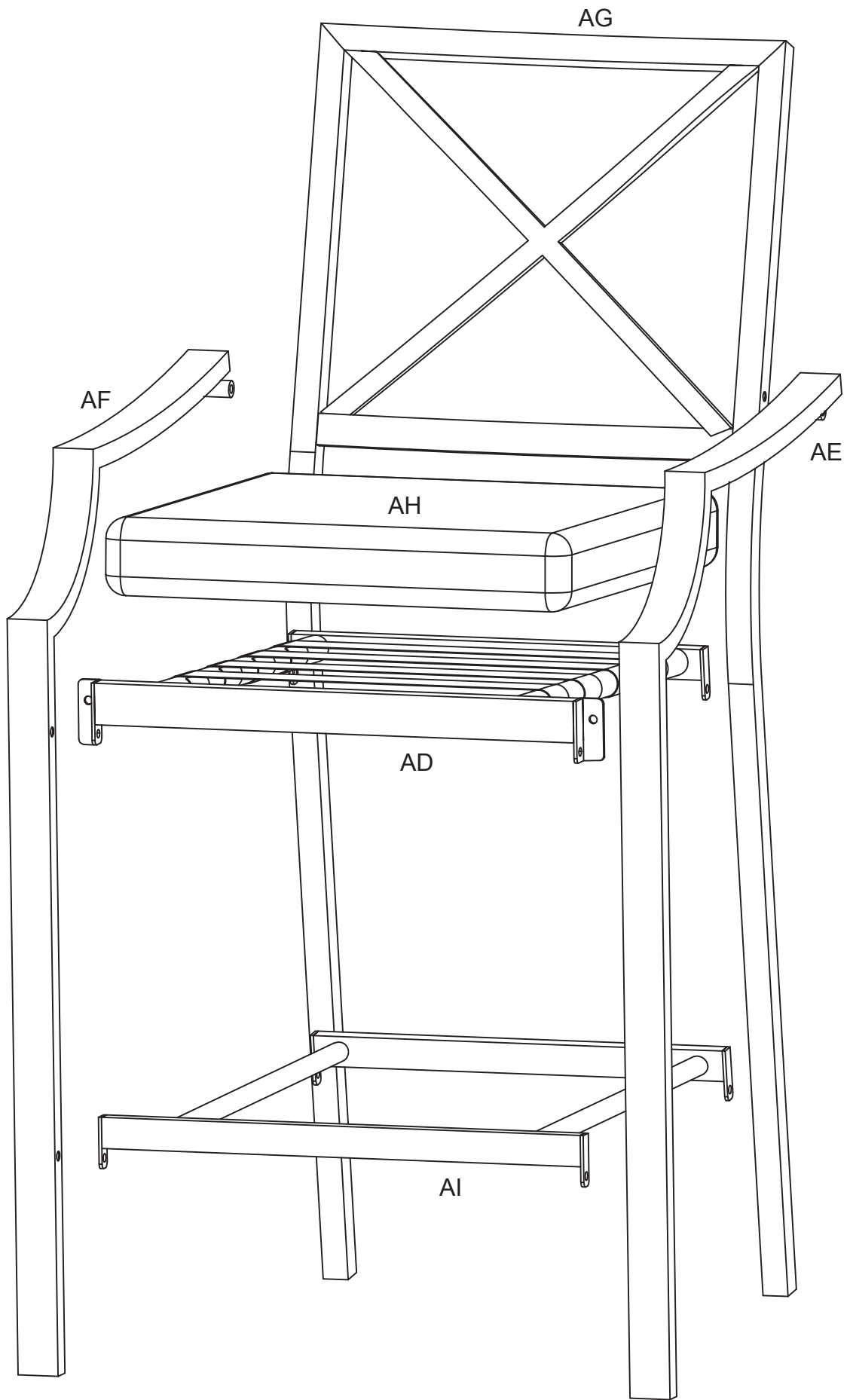
## **MAINTENANCE**

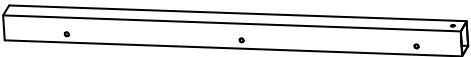
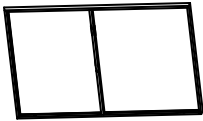
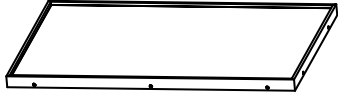
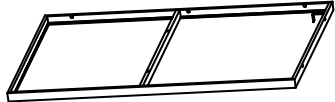
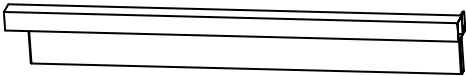
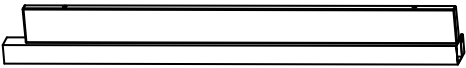
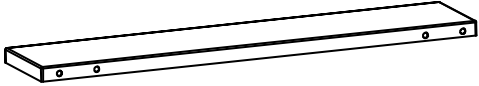
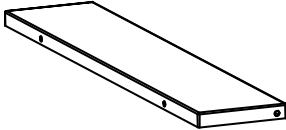
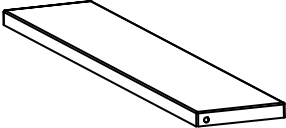
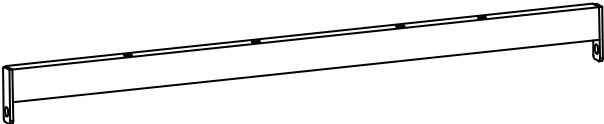
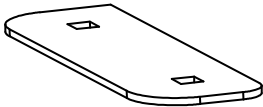
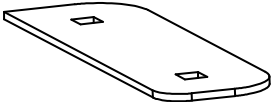

If this furniture needs repairs, **DO NOT RETURN THE PRODUCT TO SEARS.**


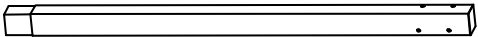
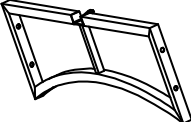
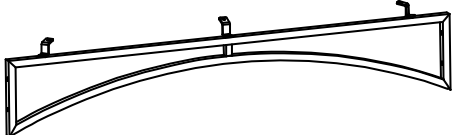






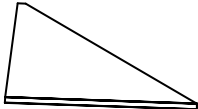
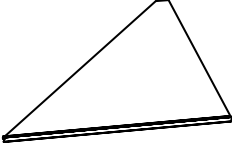
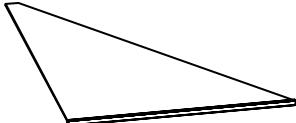
In case of a defective part of if a problem occurs while using this Product, please contact Bond Vast at 1-800-961-9838, 9AM ~ 5PM, Pacific Time Zone, Monday - Friday.


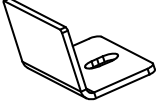
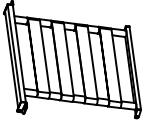

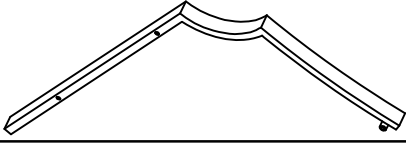
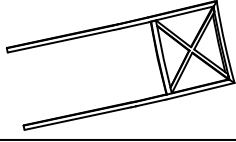

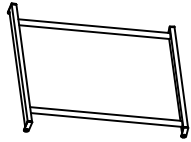
Or email us: [customerservice@bondvast.com](mailto:customerservice@bondvast.com).





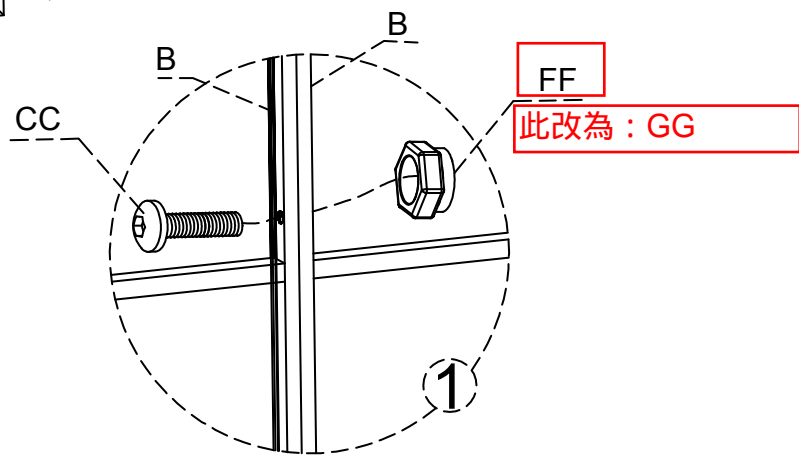
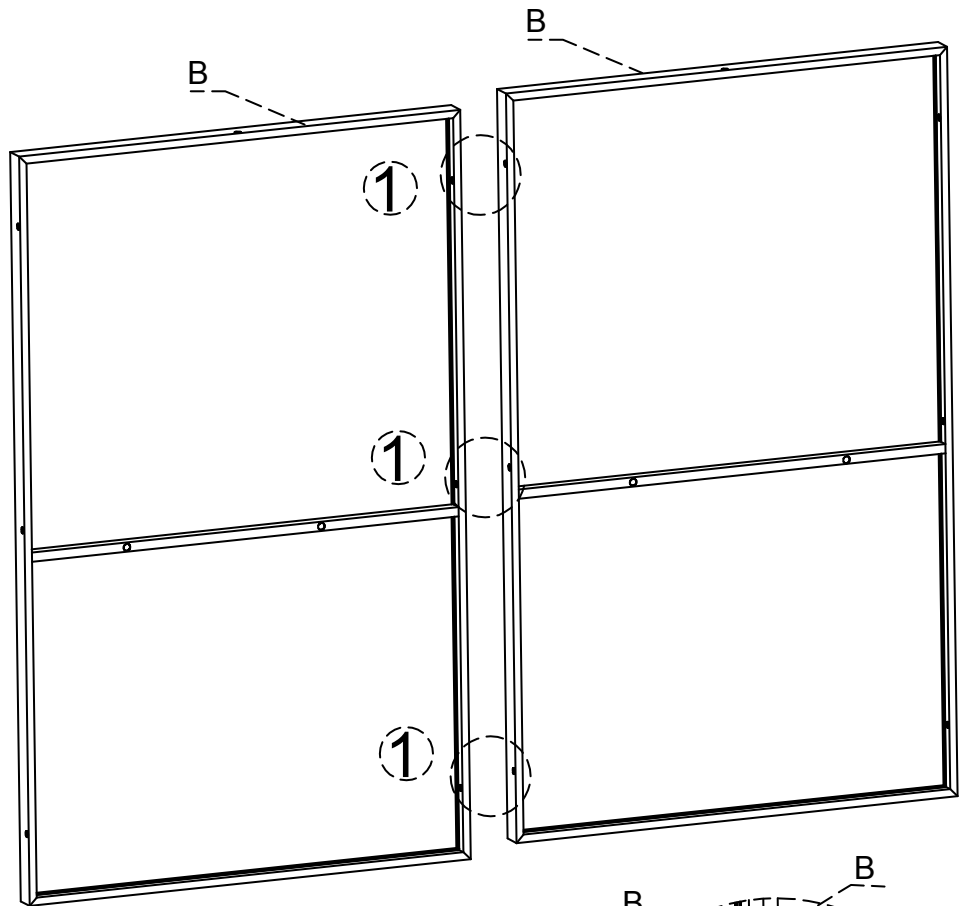
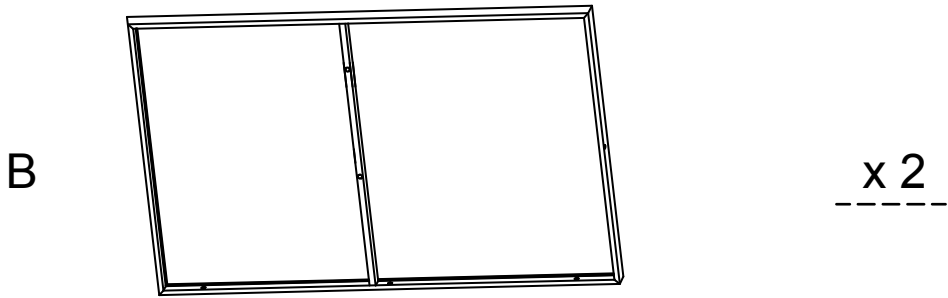
Part No.	Description	Qty	Illustration
A	Base Post	4	
B	Back Panel	2	
C	Side Panel 1	1	
D	Side Panel 2	1	
E	Support Leg 1	1	
F	Support Leg 2	1	
G	Shelving 1	1	
H	Shelving 2	1	
I	Shelving 3	1	
J	Support Tube	1	
K	Granite Tabletop 1	1	
L	Granite Tabletop 2	1	
M	Granite Tabletop 3	1	

Part No.	Description	Qty	Illustration
N	Plastip Loop	4	
O	Upper Post	4	
P	Short Crossbar	2	
Q	Long Crossbar	2	
R	Roof Connector	1	
S	Roof Cap	1	
T	Long Roof Tube	4	
U	Short Roof Tube 1	2	
V	Short Roof Tube 2	2	
W	Roof Panel 1	2	
X	Roof Panel 2	2	
Y	Roof Panel 3	2	
Z	Roof Panel 4	2	

Part No.	Description	Qty	Illustration
AB	Corner Connector	4	
AC	Center Connector	4	
AD	Seat Frame	2	
AE	Left Armrest	2	
AF	Right Armrest	2	
AG	Backrest	2	
AH	Cushion	2	
AI	Connector Bracket	2	

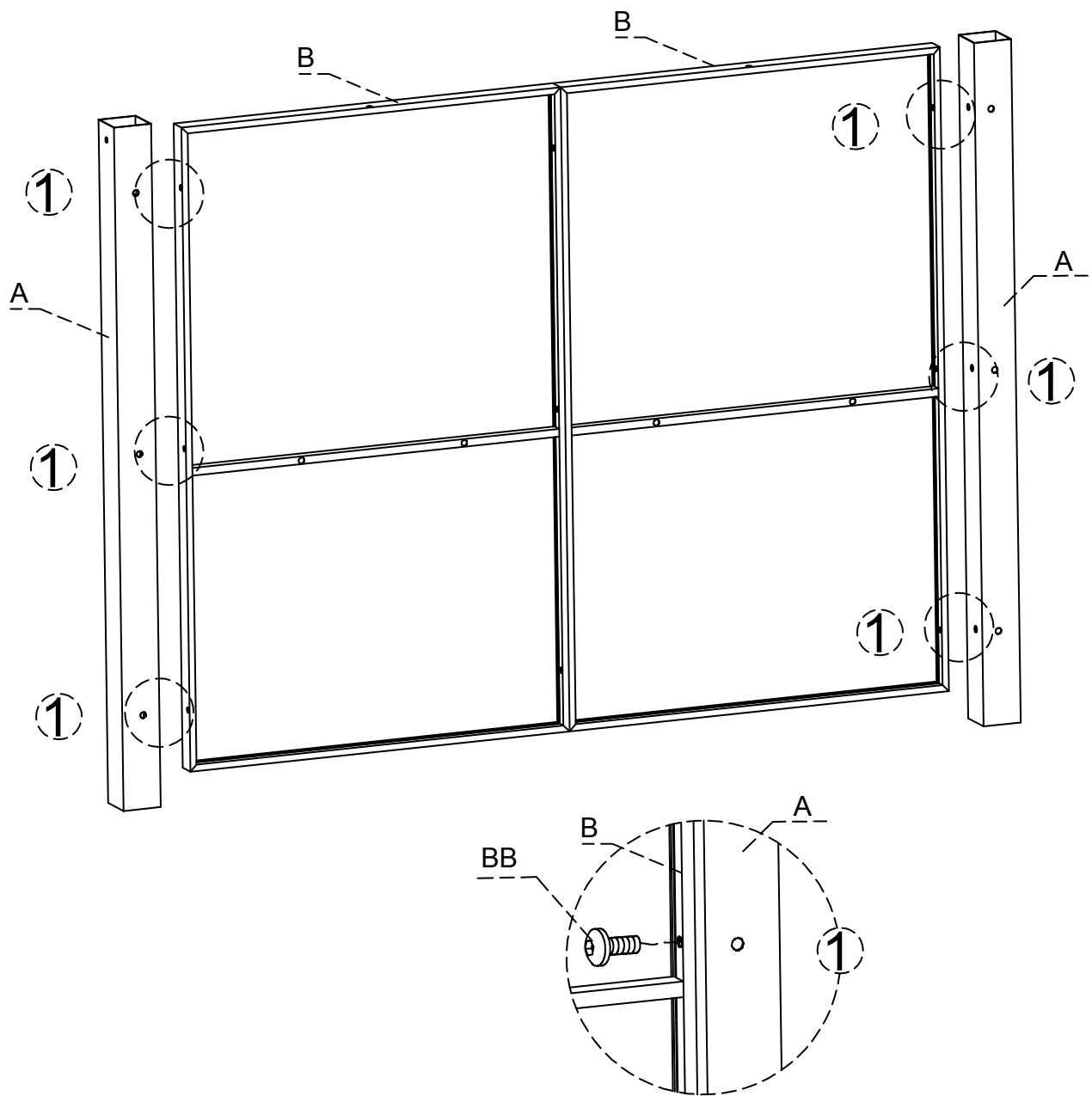
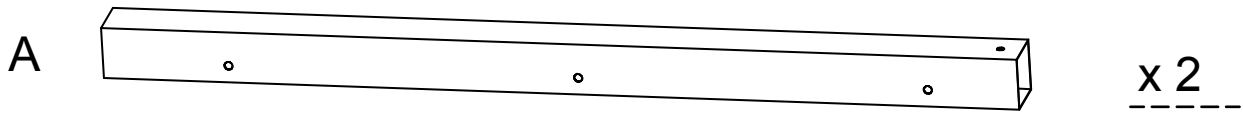
Part No.	Description	Qty	Illustration
AA	Screw 1 M6 x 15mm	73	
BB	Screw 2 M6 x 25mm	24	
CC	Screw 3 M6 x 30mm	3	
DD	Screw 4 M6 x 35mm	16	
EE	Screw 5 M6 x 45mm	4	
FF	Screw 6 M6 x 55mm	4	
GG	Bolt Nut	7	
HH	Washer	1	
II	Allen Wrench	2	
JJ	Spanner	1	



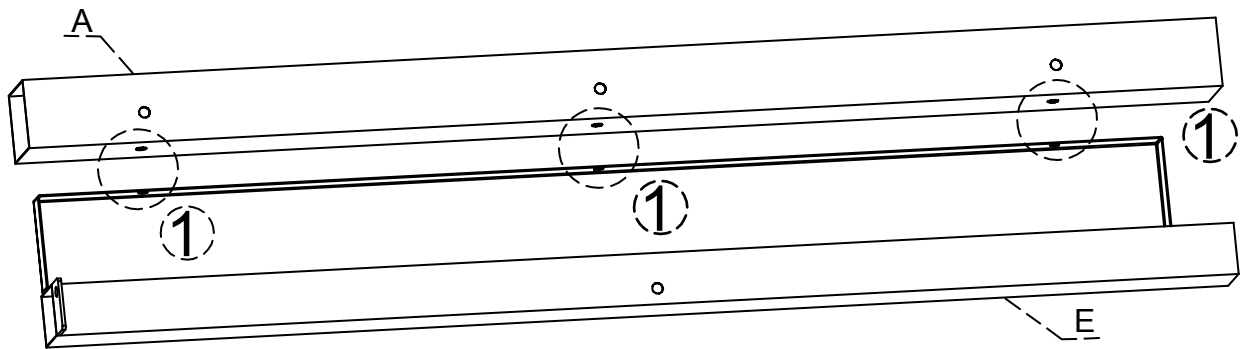
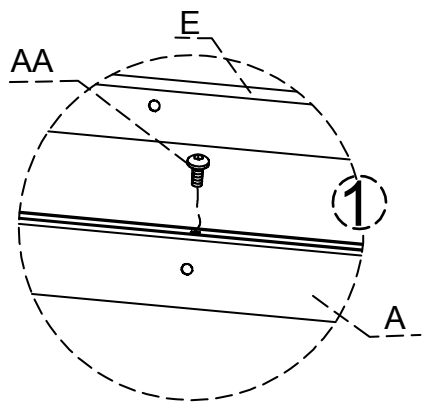
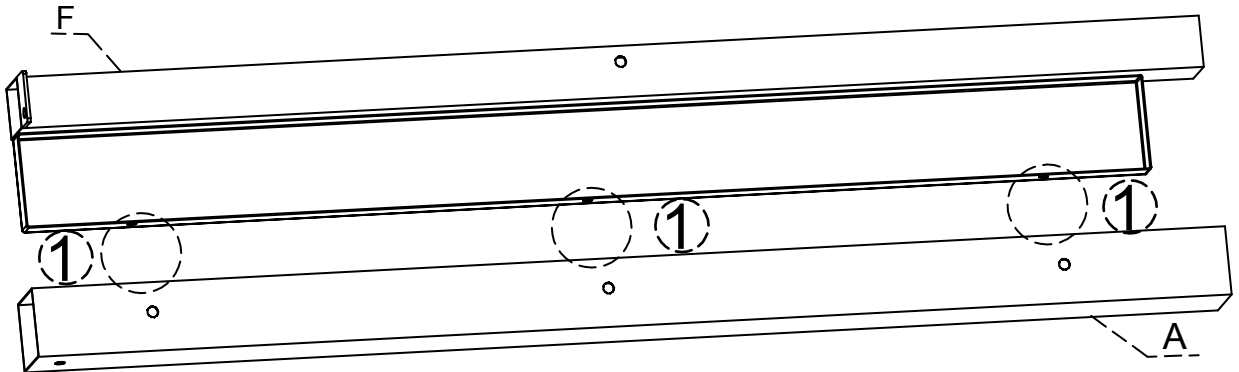
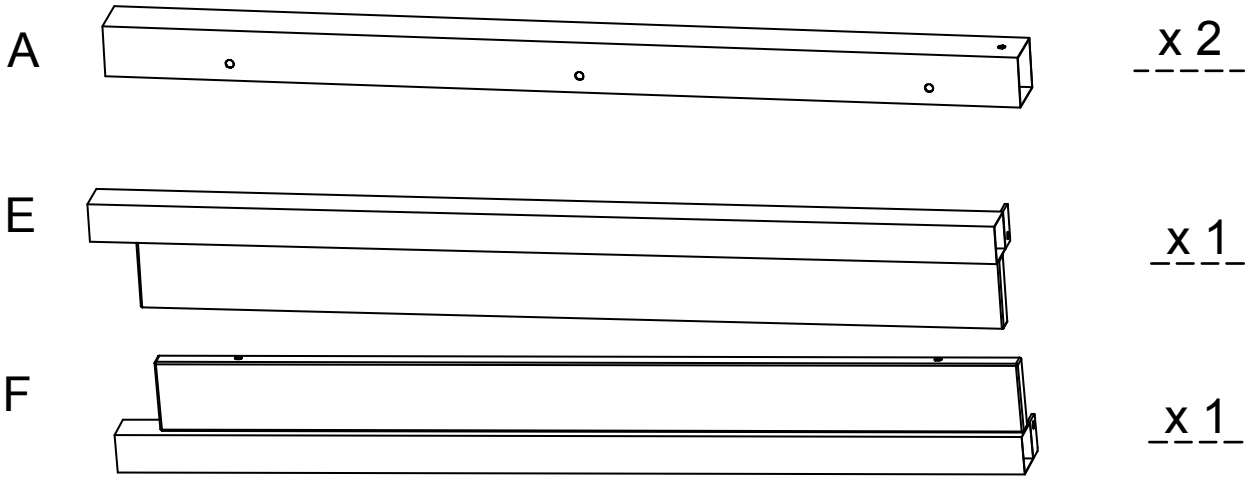


此處改為：GG

1. Secure both back panel (B) by using screw 3 (CC) and bolt nut **FF** as figure 1 shown.



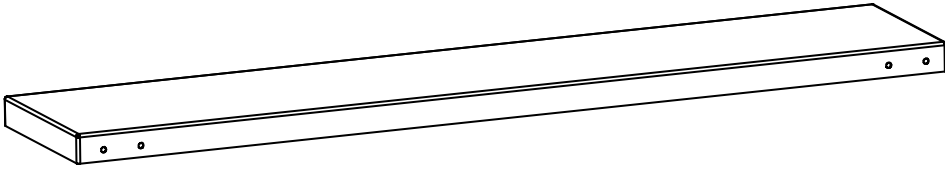
1. Insert screw 2 (BB) through back panel (BB) secure with base post (A) as figure 1 shown. Repeat for remaining base post (A).



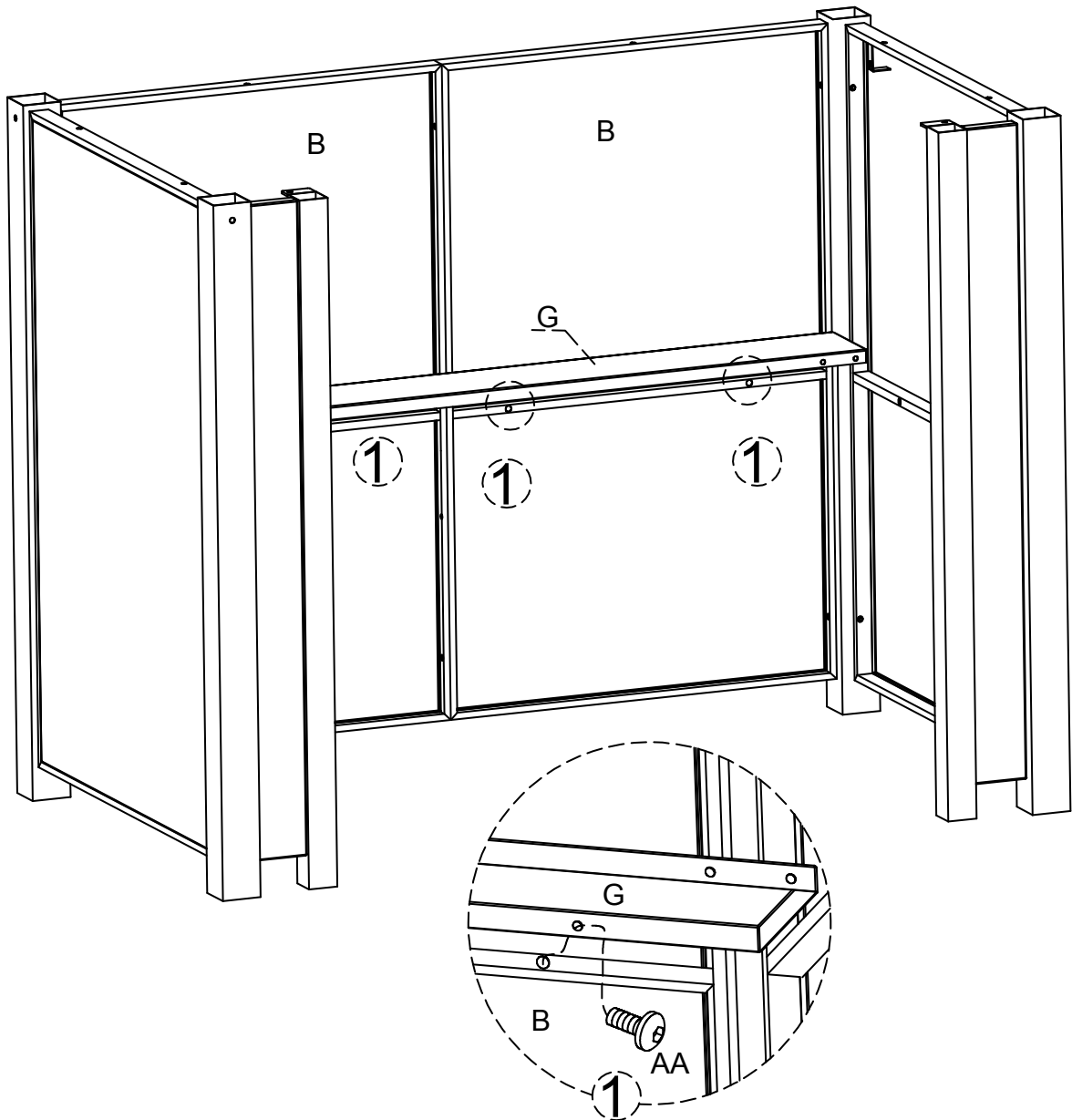
1. Insert screw 1 (AA) through support leg 1 (E), secure with base post (A) as figure 1 shown. Repeat for remaining base post (A) and support leg 2 (F).



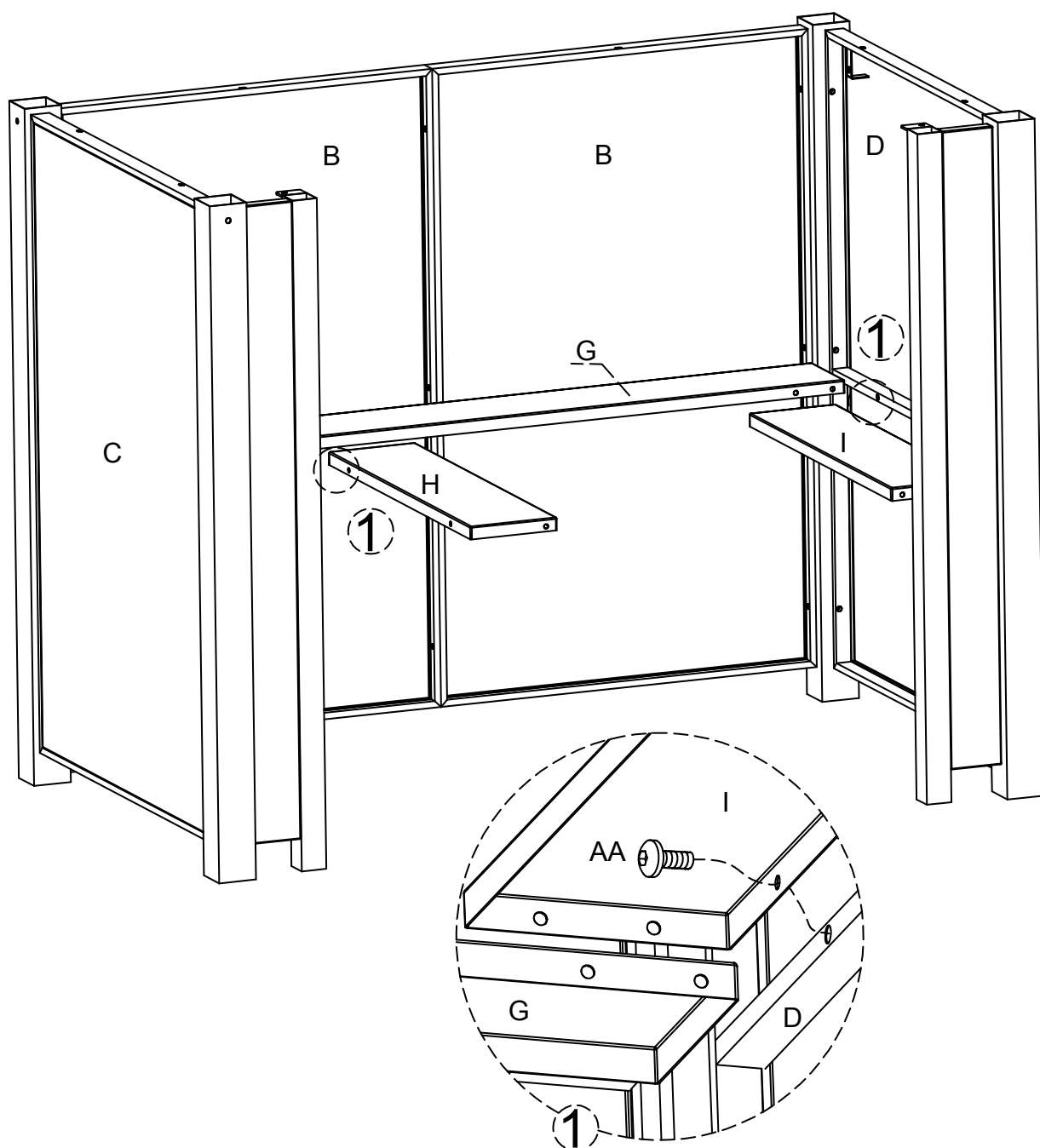
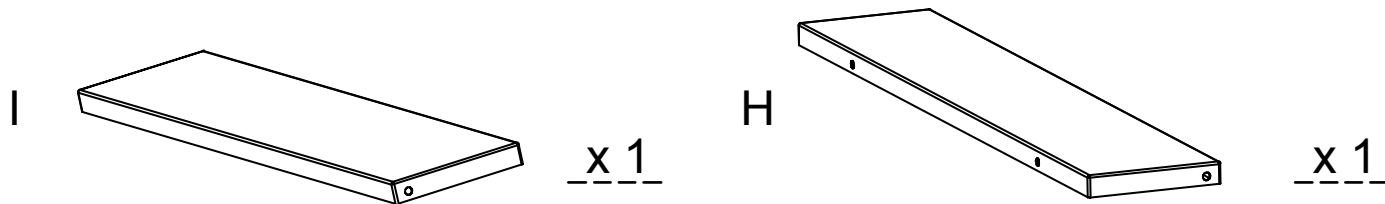
G



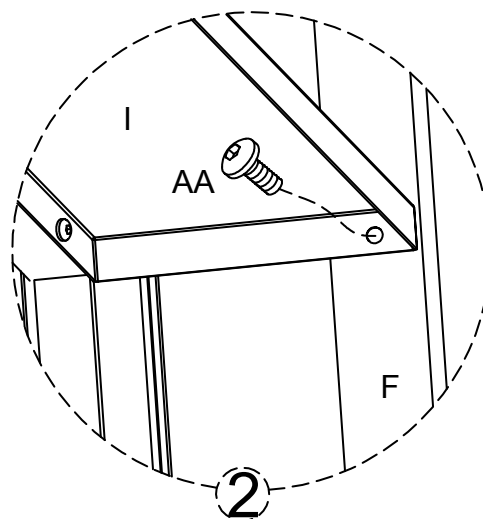
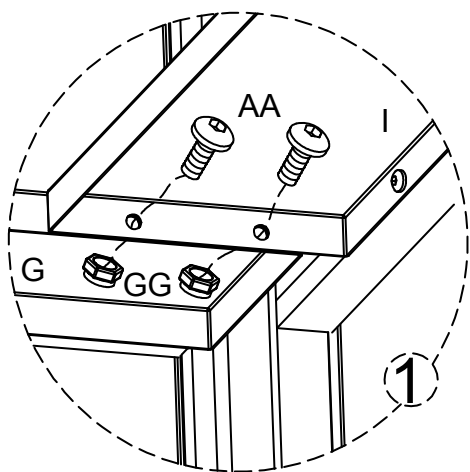
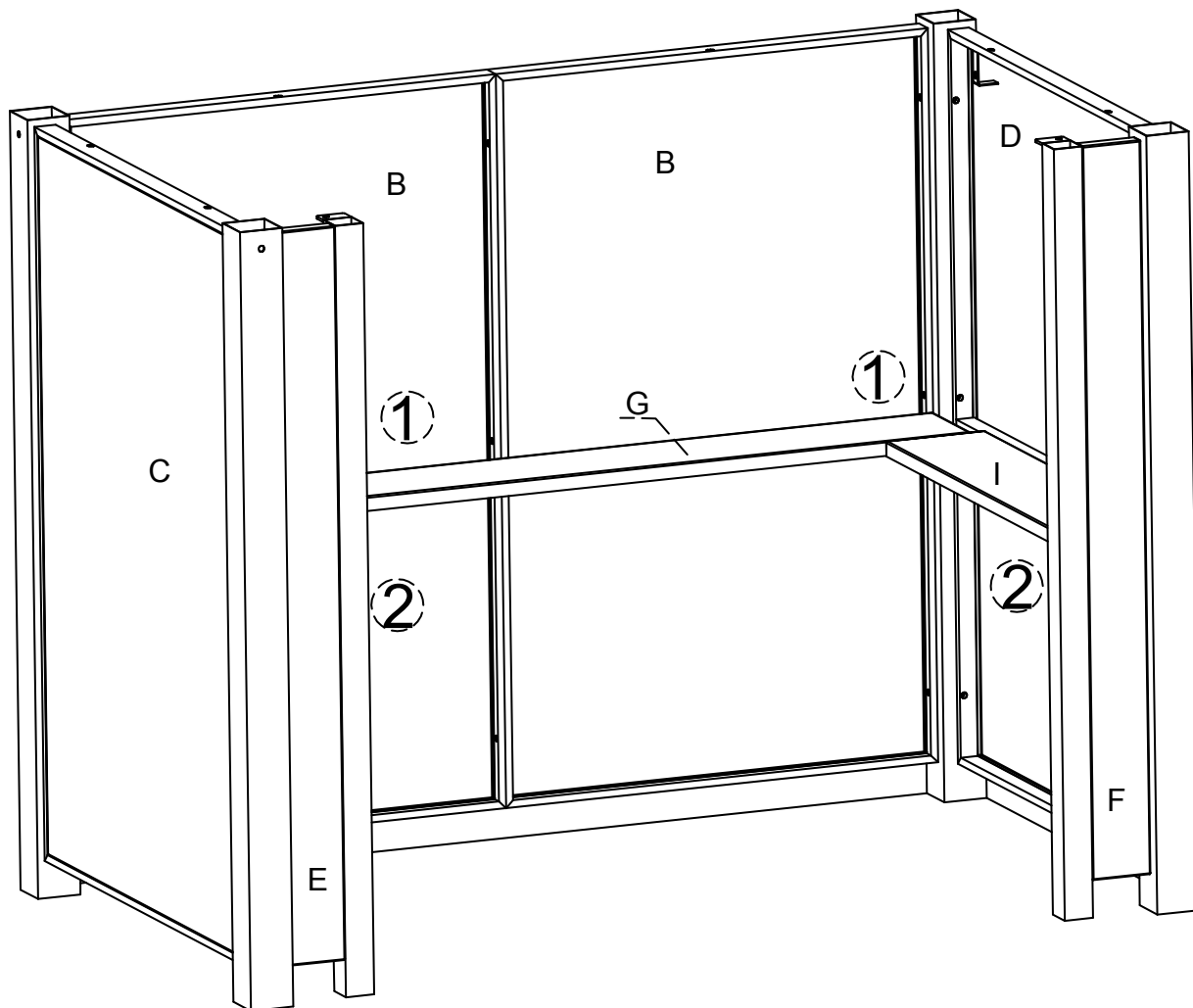
x 1



1. Insert screw 1 (AA) through shelving 1 (G), secure with back panel (B) as figure 1 shown.

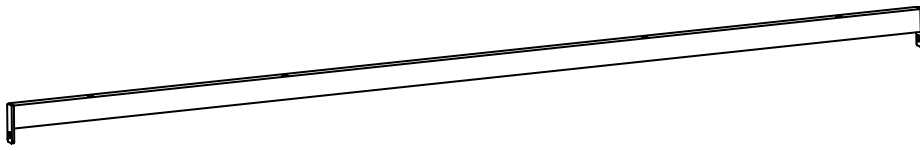


1. Insert screw 1 (AA) into shelving 3 (I), secure with side panel 2 (D) as figure 1 shown. Then insert screw 1 (AA) into shelving 2 (H), secure with side panel 1 (C).

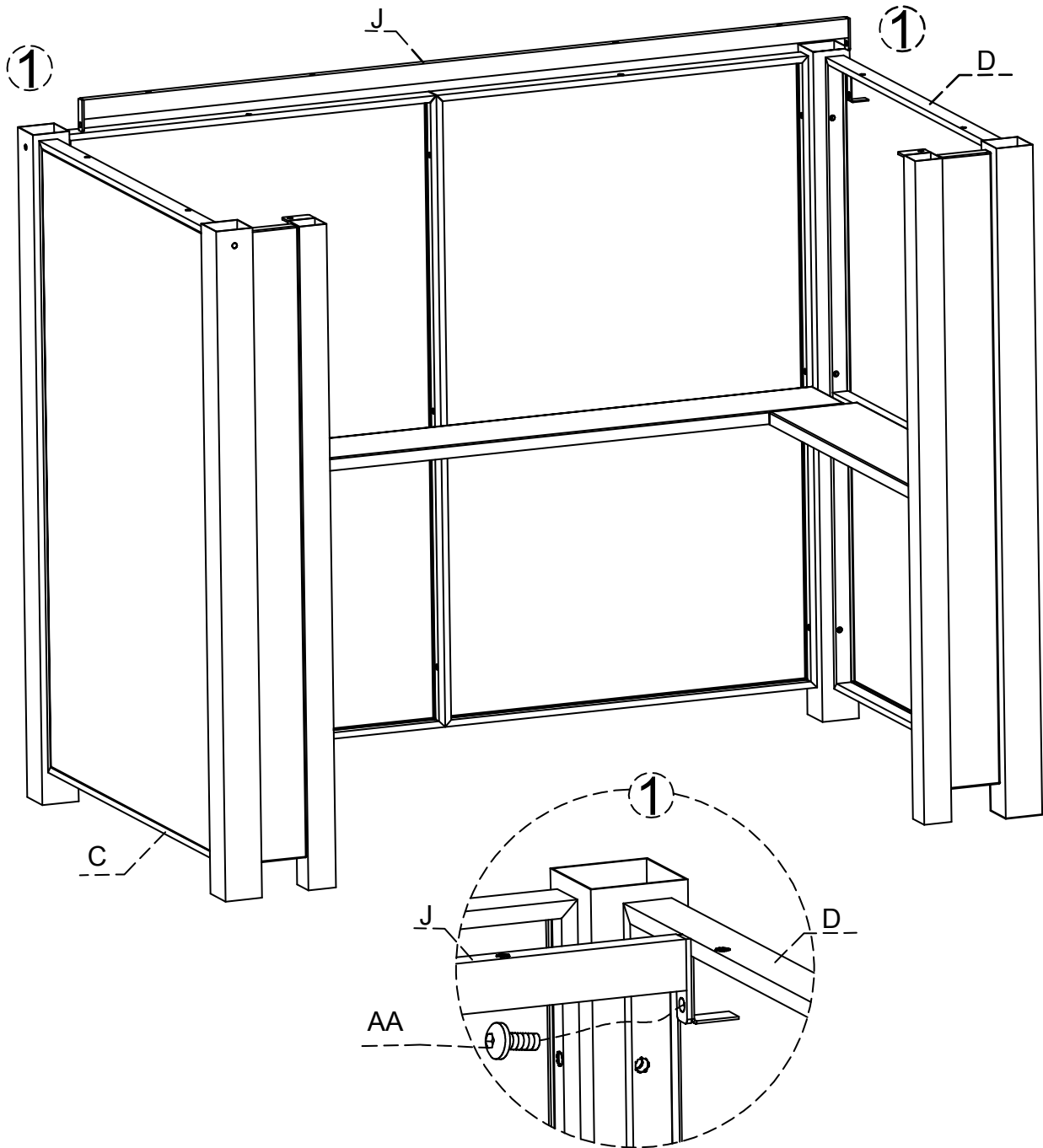


1. Connect shelving 1 ( G ) with shelving 3 ( I ) by using screw 1 ( AA ) and bolt nut ( GG ) as figure 1 shown.  
Then connect shelving 3 ( I ) with support leg 2 ( F ) by using screw 1 ( AA ).  
Repeat this step for shelving 2 ( H ) on the other side.

J



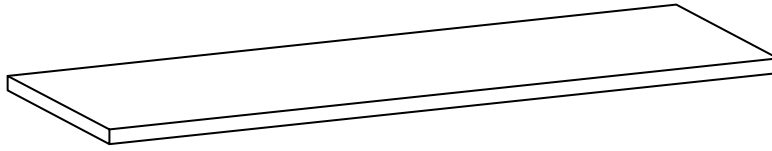
x 1



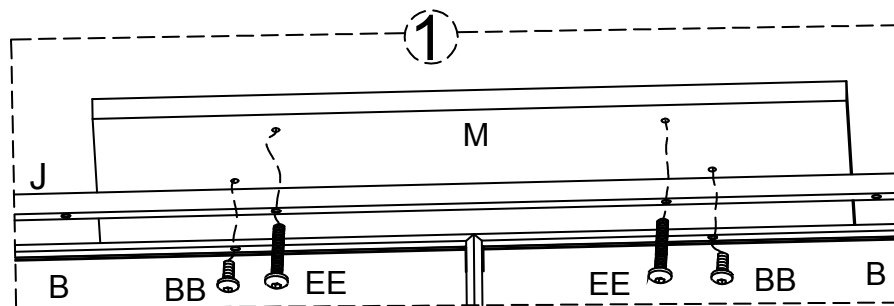
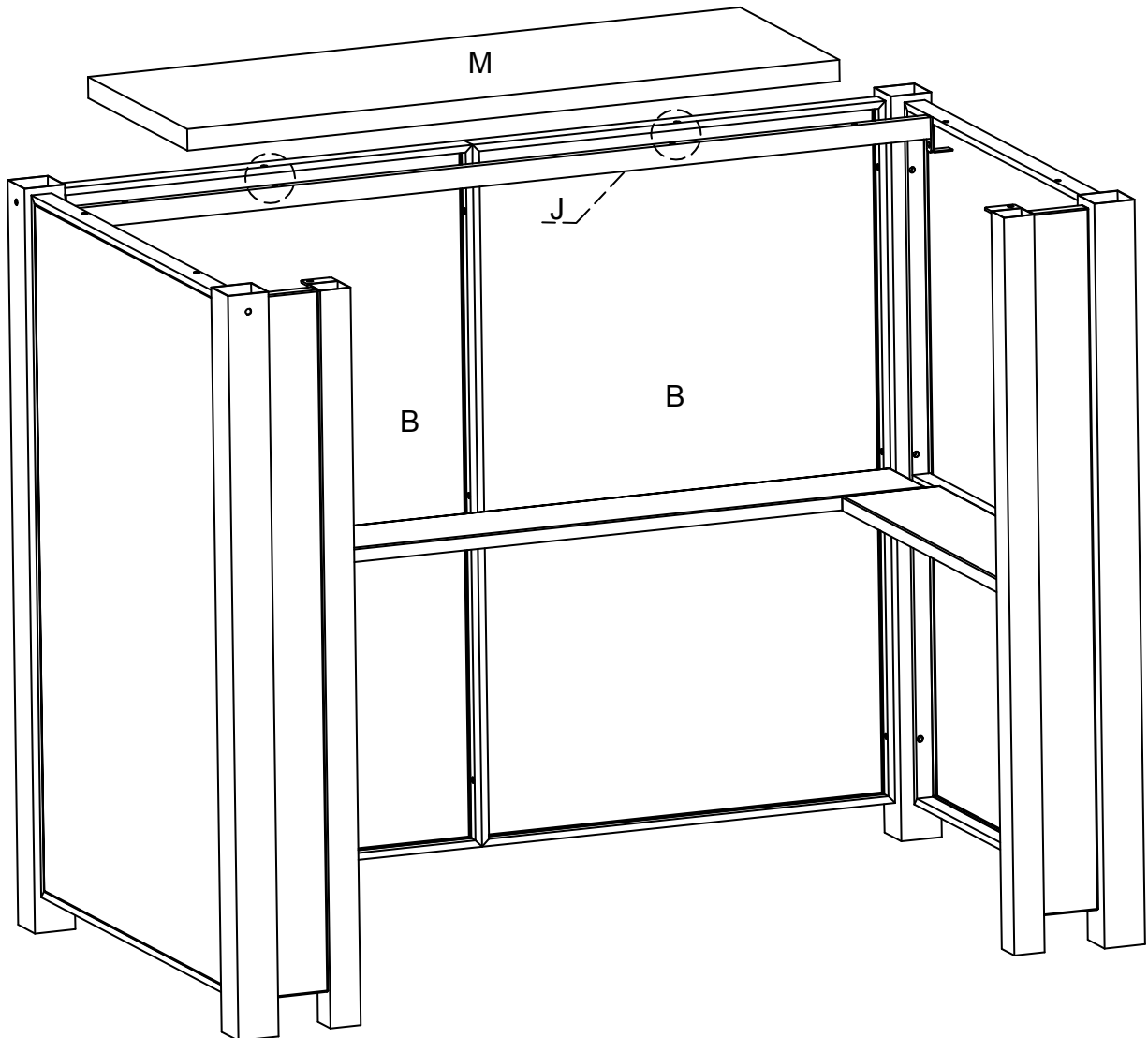
1. Insert screw 1 (AA) through support tube (J), secure with side panel 2 (DD) as figure 1 shown. Then insert screw 1 (AA) through the other side of support tube (J), secure with side panel 1 (CC).



M

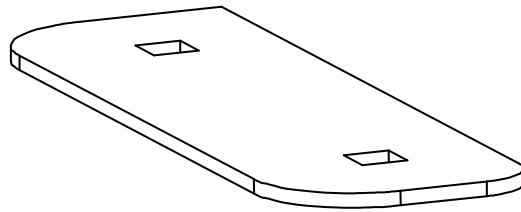


x 1

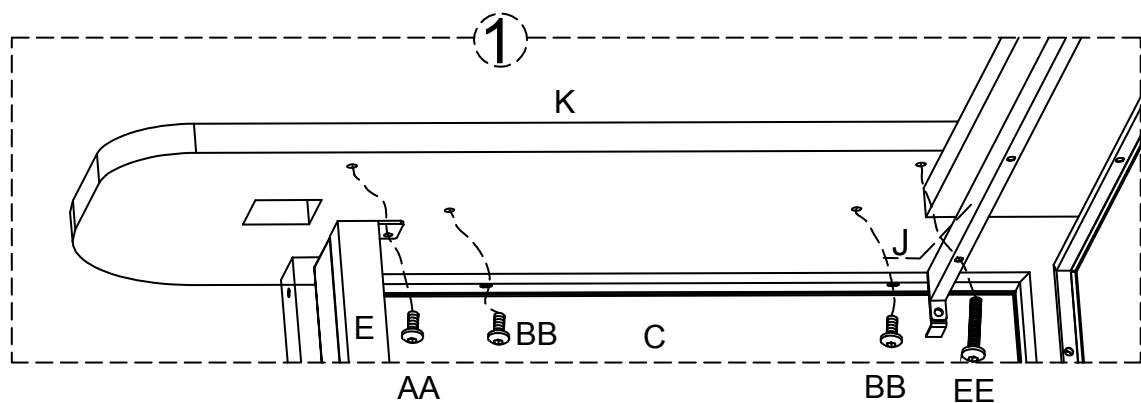
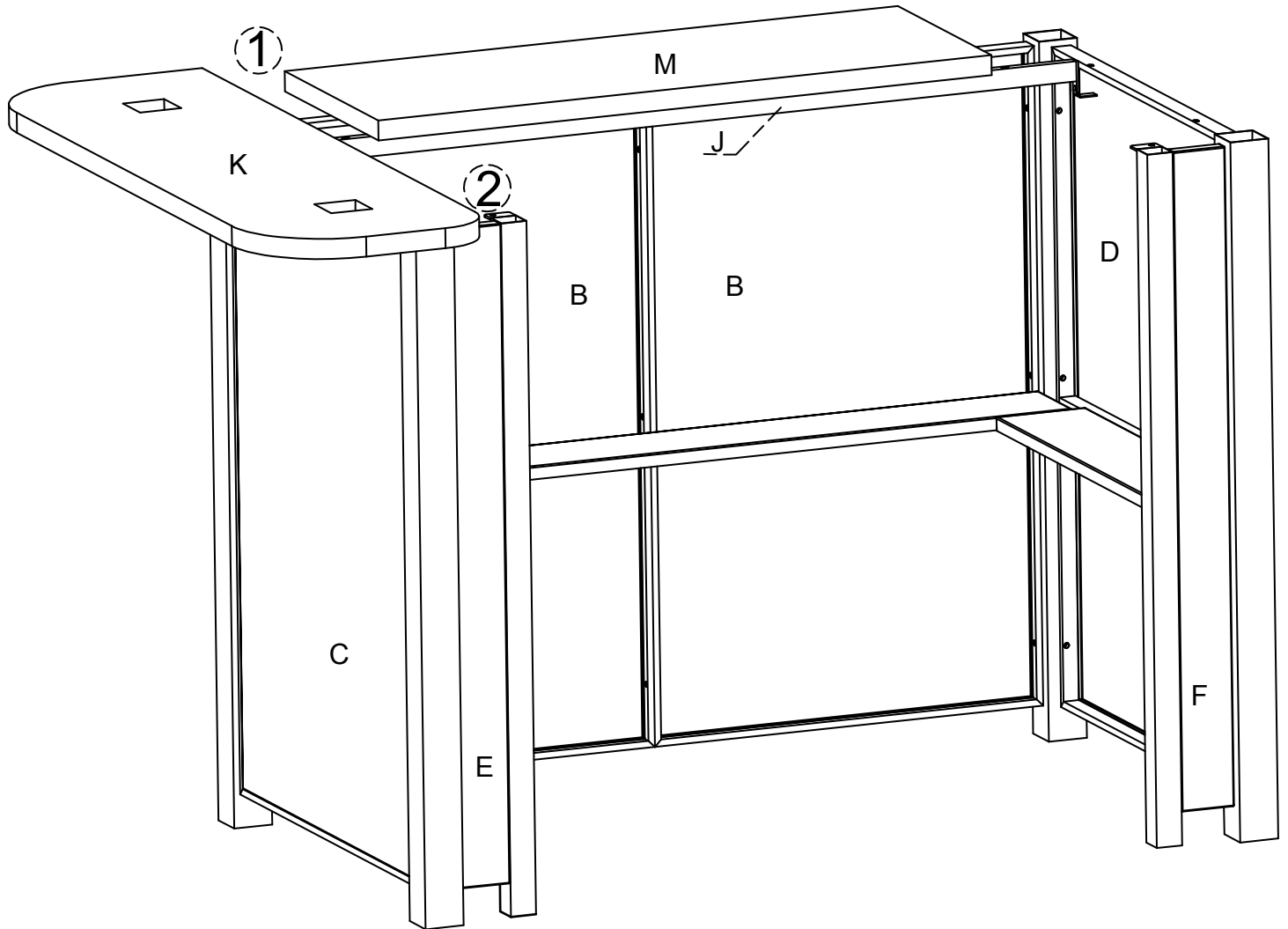


1. Insert screw 2 (BB) through back panel (B) secure with granite tabletop 3 (M), then insert screw 5 (EE) through support tube (J) secure with granite tabletop 3 (M) as figure 1 shown.

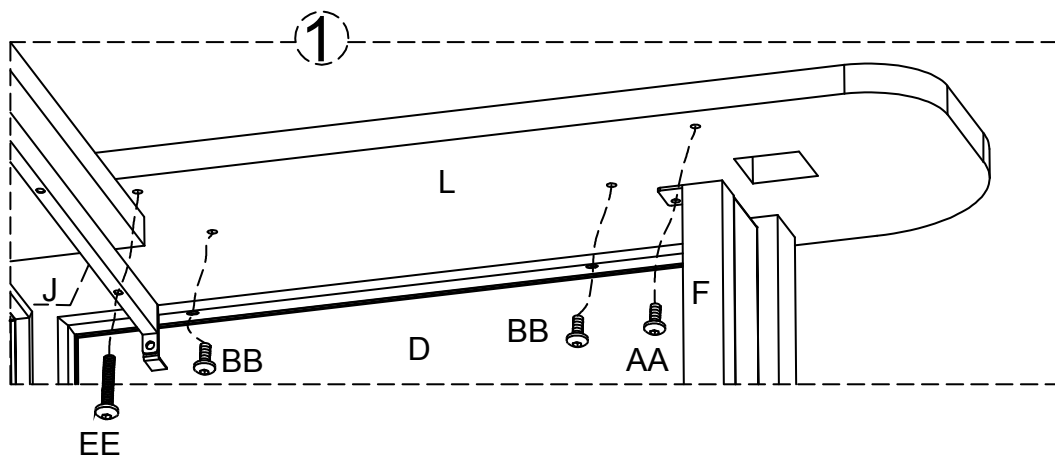
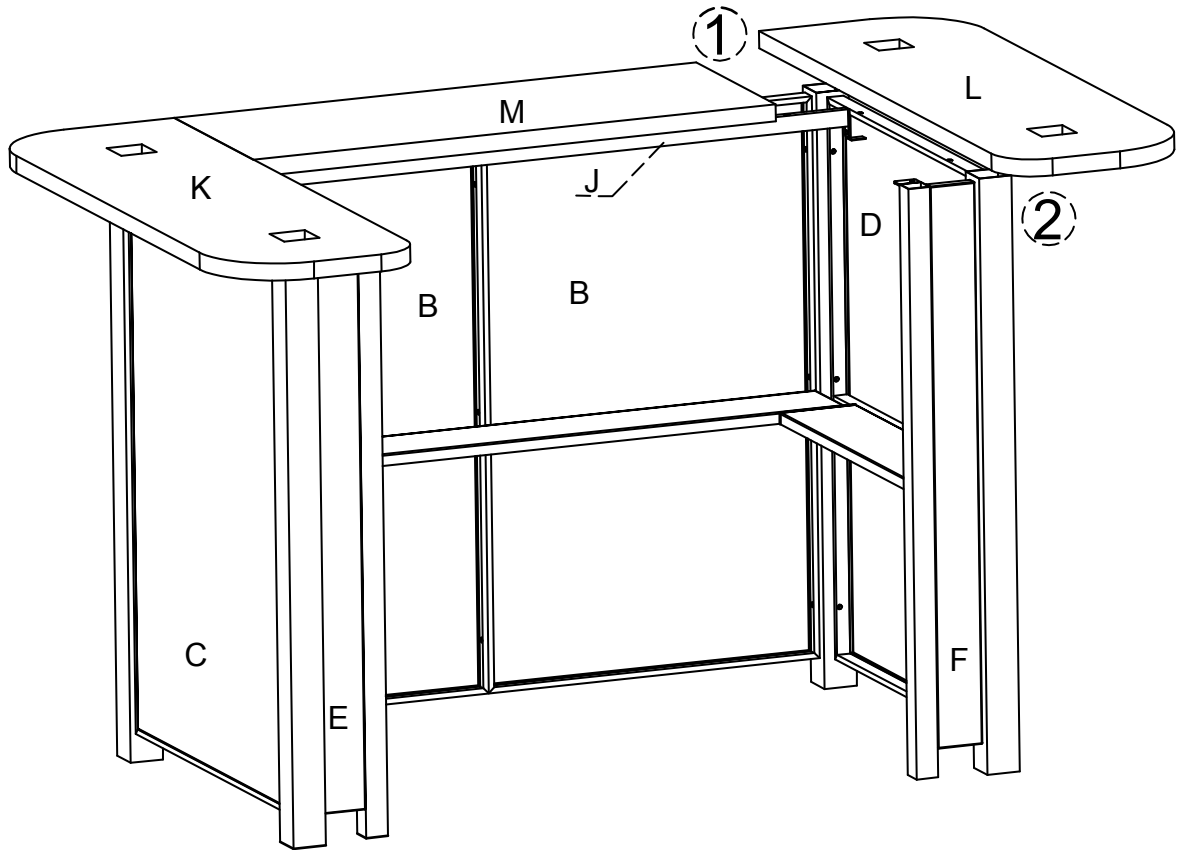
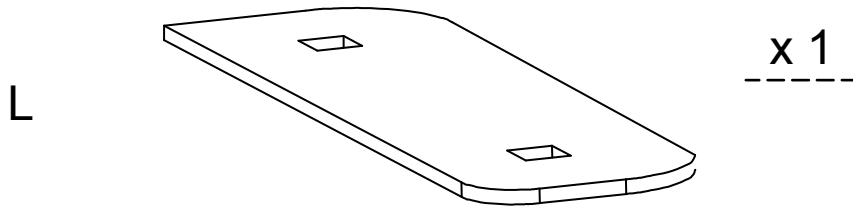
K



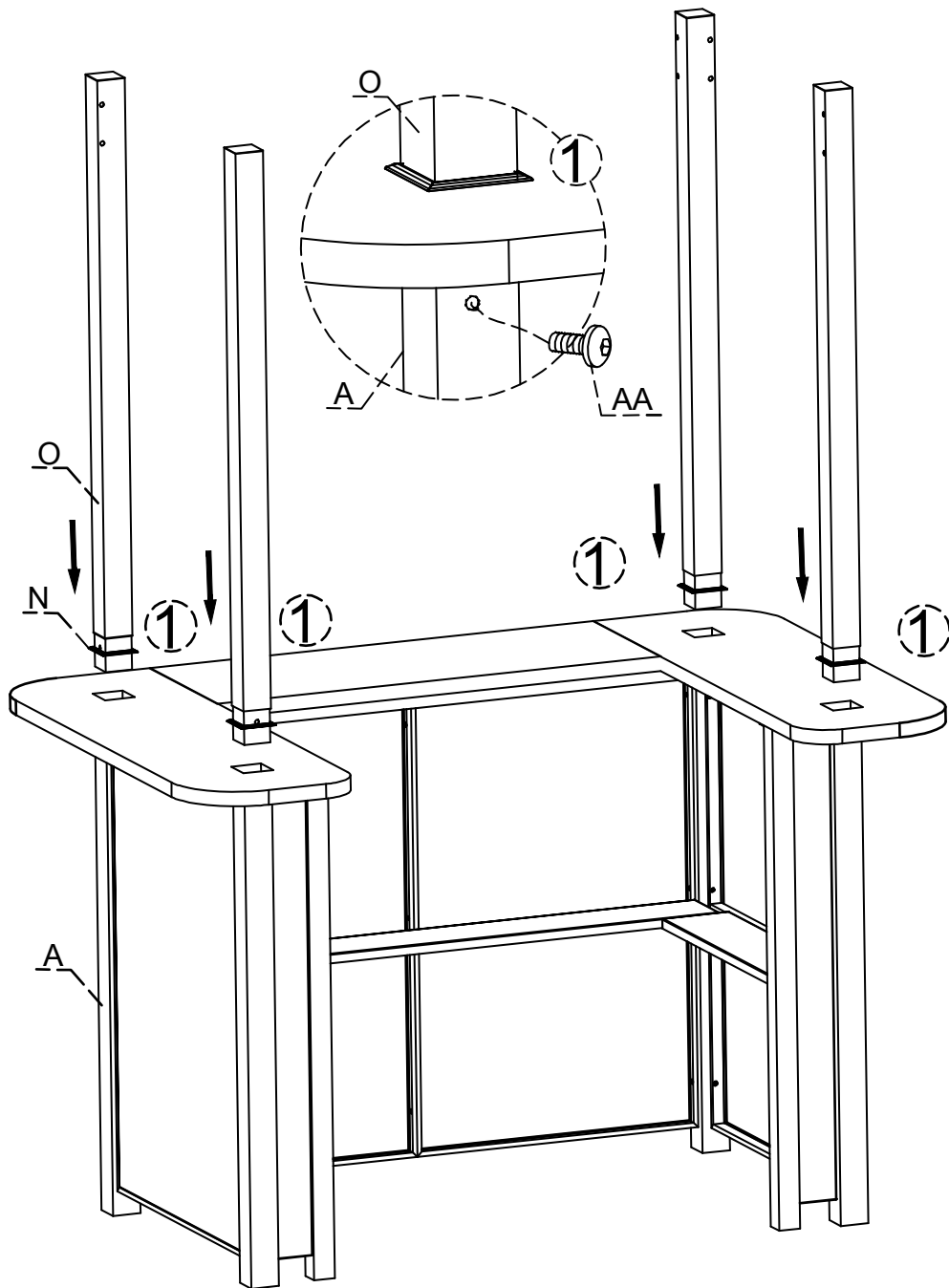
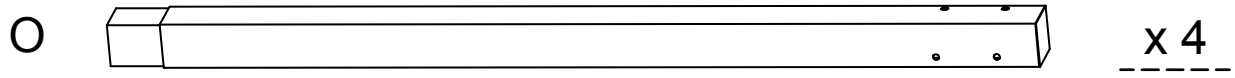
x 1



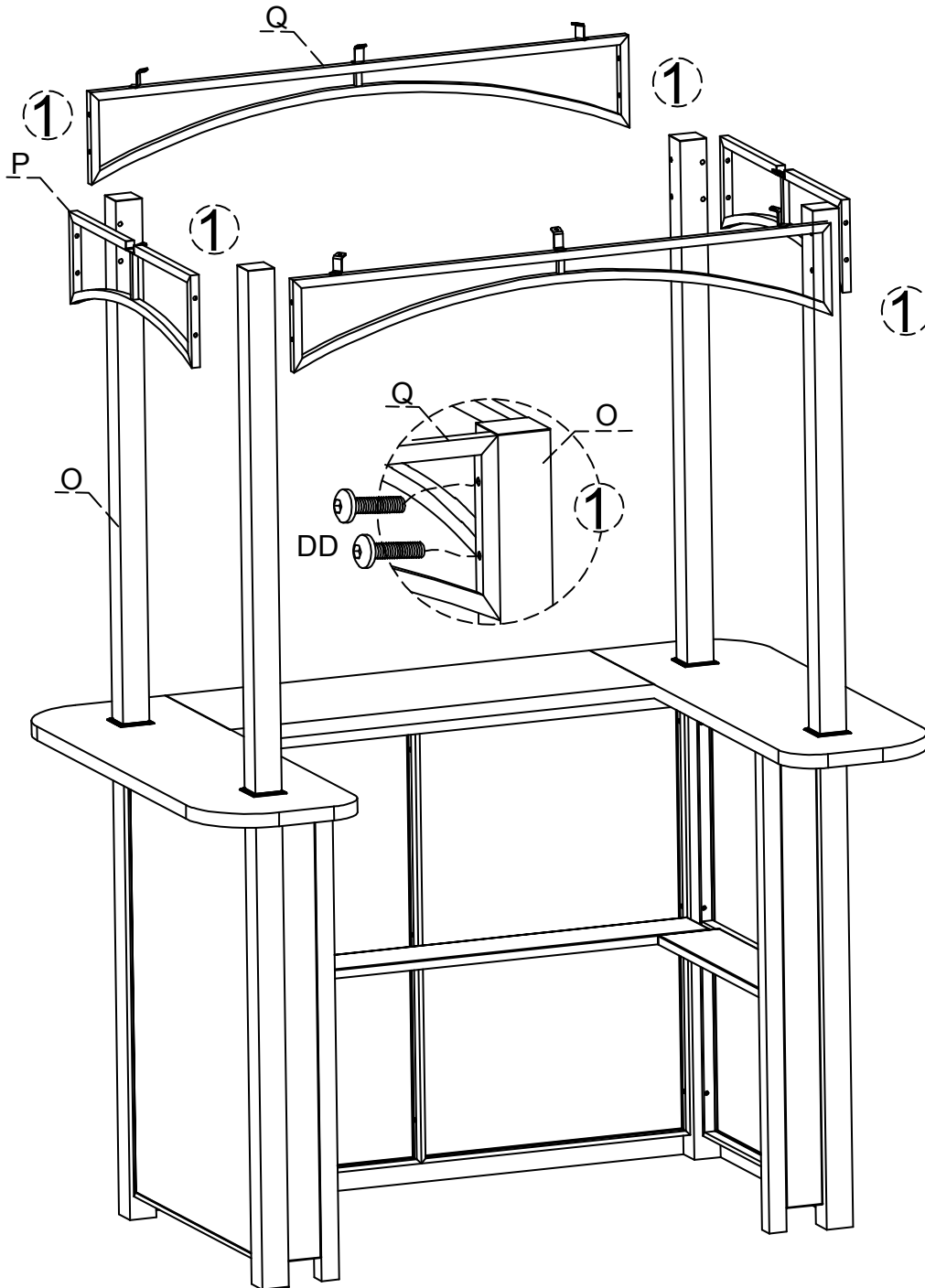
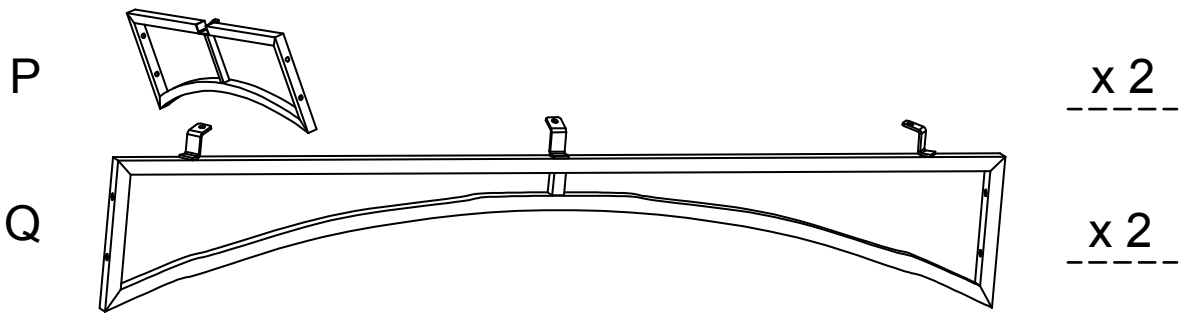
1. Insert screw 2 (BB) through side panel 1 (C), secure with granite tabletop 1 (K), then insert screw 5 (EE) through support tube (J), secure with granite tabletop 1 (K) as figure 1 shown.
2. Insert screw 1 (AA) through support leg 1 (E), secure with granite tabletop 1 (K) as figure 1 shown.



1. Insert screw 2 (BB) through side panel 2 (D), secure with granite tabletop 2 (L), then insert screw 5 (EE) through support tube (J), secure with granite tabletop 2 (L) as figure 1 shown.
2. Insert screw 1 (AA) through support leg 2 (F), secure with granite tabletop 2 (L) as figure 1 shown.



1. Insert upper post (O) through plastic loop (N) into base post (A), and use screw 1 (AA) to secure base post (A) with upper post (O). Repeat for remaining upper post (O).



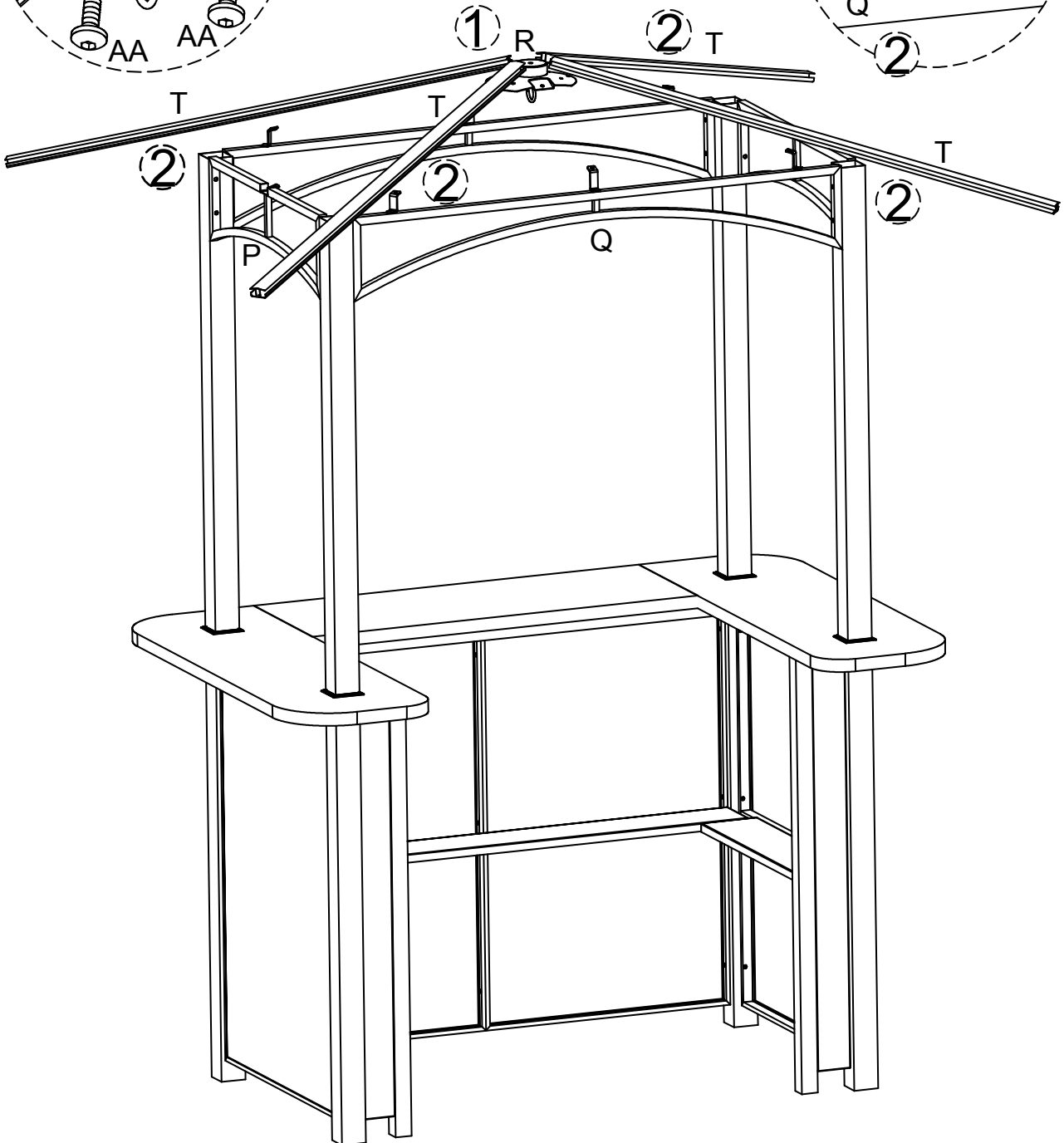
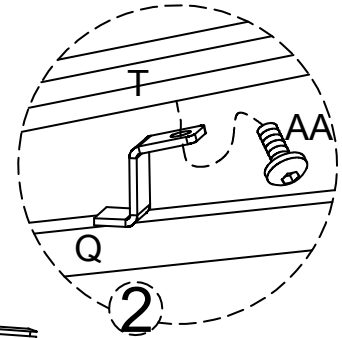
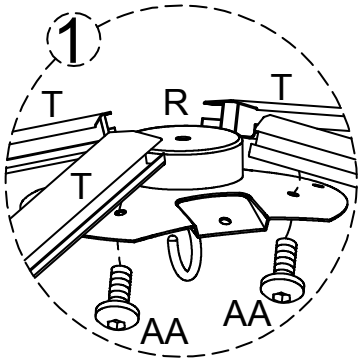
1. Insert screw 4 (DD) through long crossbar (Q), secure with upper post (O), then secure other side of long crossbar (Q) onto upper post (O) using screw 4 (DD) as figure 1 shown. Repeat for remaining long crossbar (Q) and short crossbar (P).  
 Notes: Please check above fig. carefully and make sure all the parts in right position.



x 4



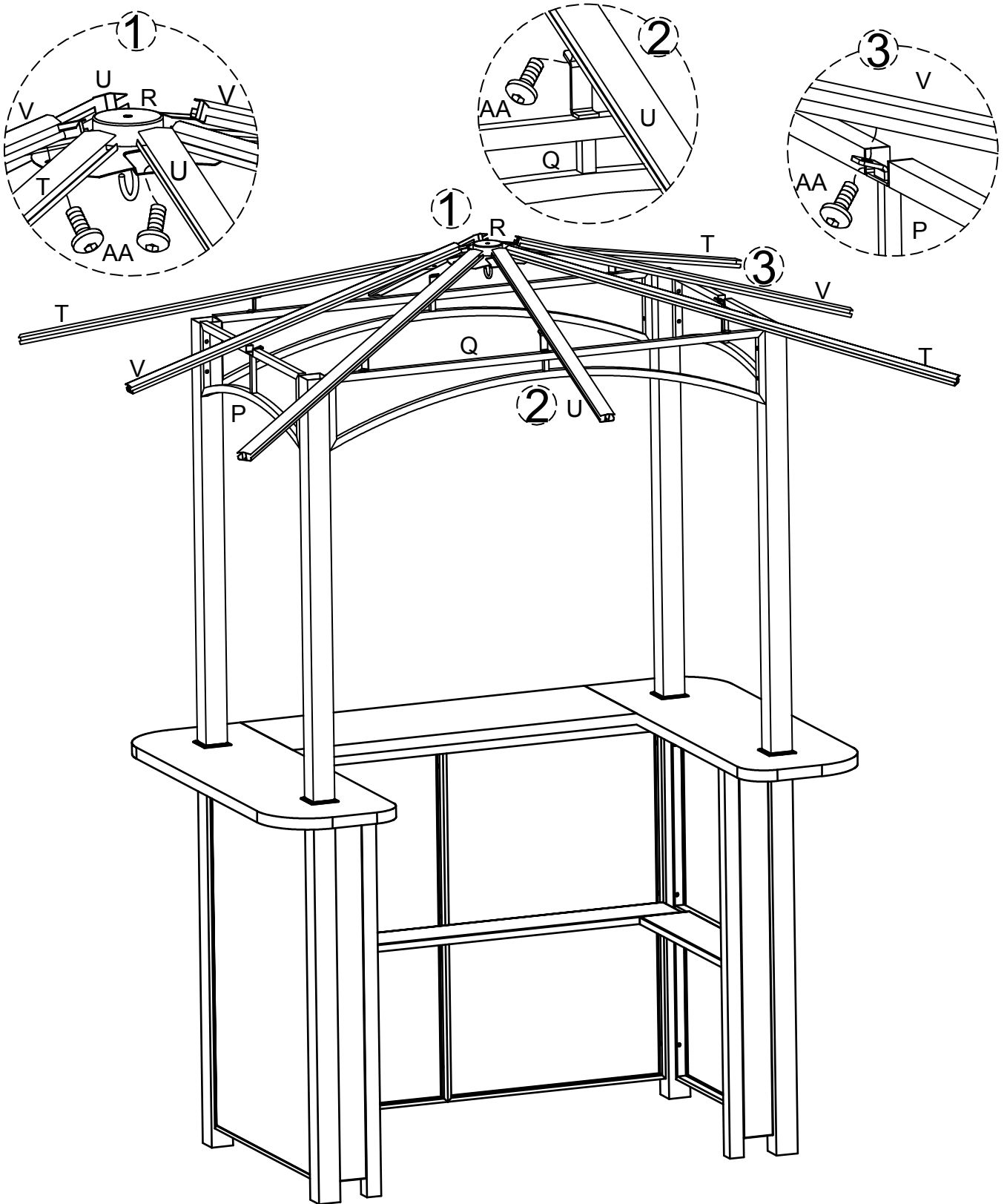
x 1



1. Insert screw 1 (AA) through roof connector (R), secure with long roof tube (T) as figure 1 shown. Then insert screw 1 (AA) through long crossbar (Q), secure with other side of long roof tube (T) as figure 2 shown. Repeat for remaining long roof tube (T).

U x 2

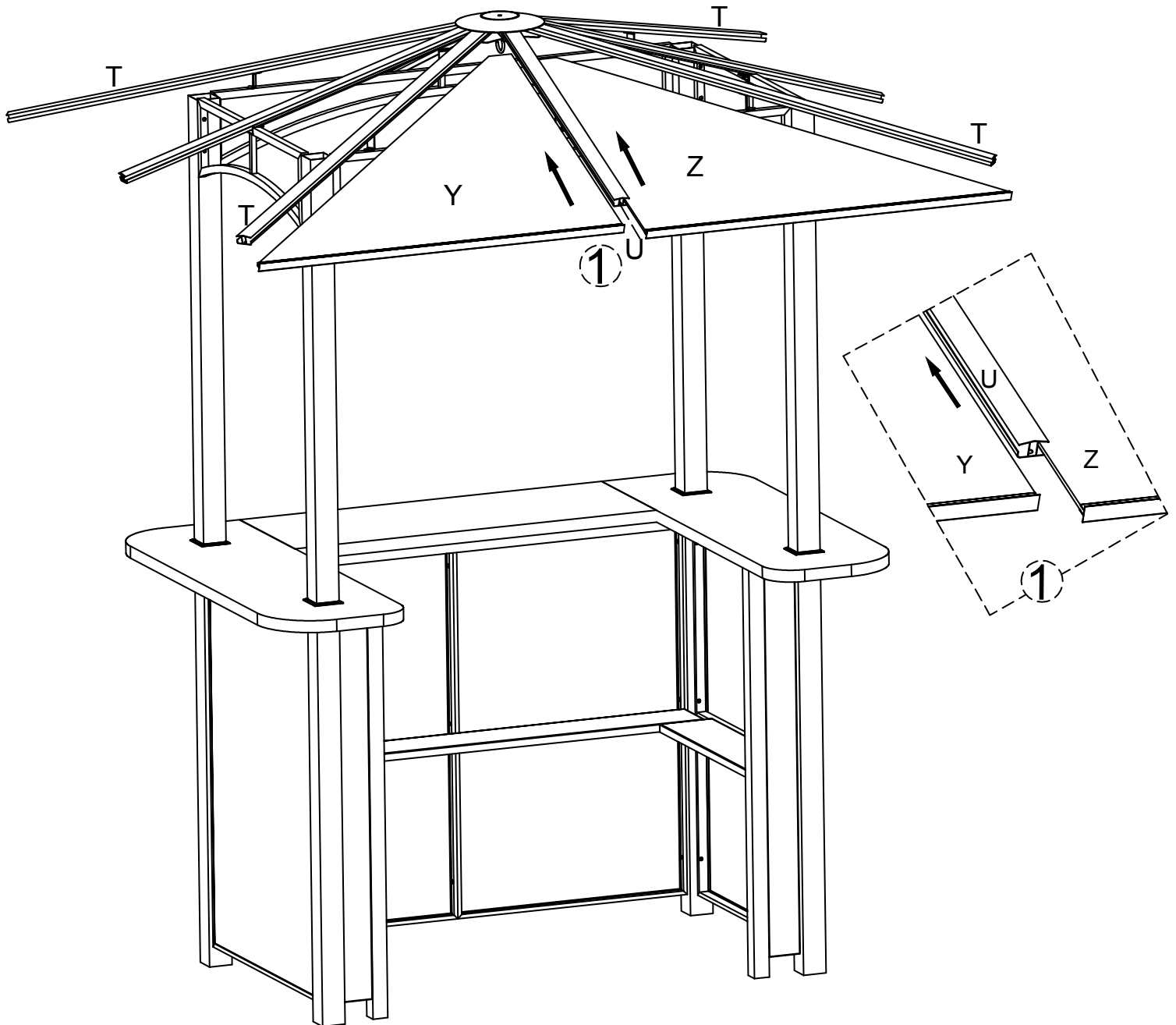
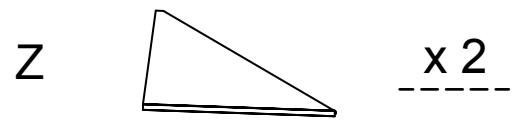
V x 2



1. Insert screw 1 (AA) through roof connector (R), secure with short roof tube 1 (U) as figure 1 shown. Then insert screw 1 (AA) through long crossbar (Q), secure with other side of short roof tube 1 (U) as figure 2 shown.
  2. Insert screw 1 (AA) through roof connector (R), secure with short roof tube 2 (V) as figure 1 shown. Then insert screw 1 (AA) through short crossbar (P), secure with other side of short roof tube 2 (V) as figure 3 shown.
- Repeat for remaining short roof tube 1 (U) and short roof tube 2 (V).



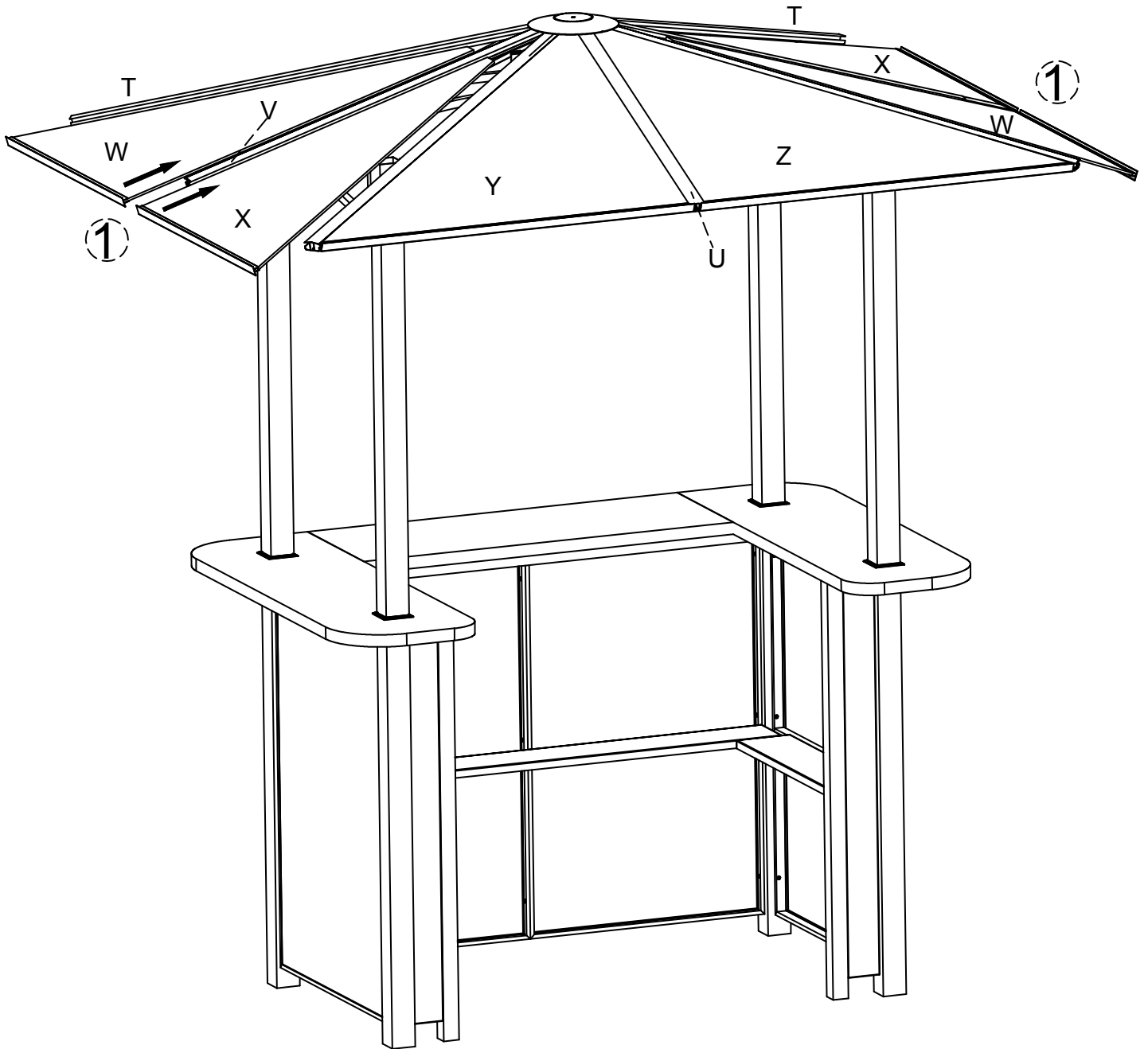
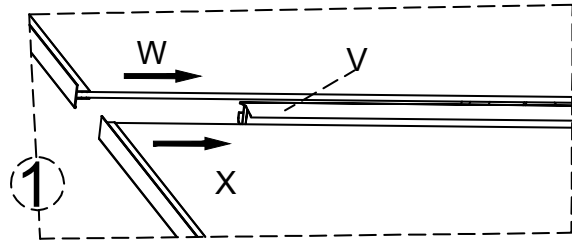
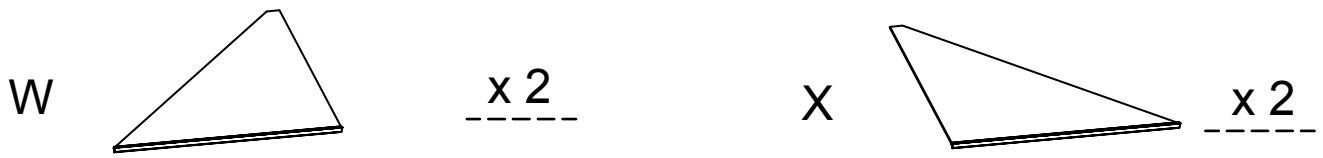




1. Peel off the protection sheet from the panel, then insert roof panel 3 (Y) into short roof tube 1 (U) and long roof tube (T), then insert roof panel 4 (Z) into short roof tube 1 (U) and long roof tube (T) as figure 1 shown.

Repeat the step for remaining roof panel (Y, Z).

Caution: Follow the directions of the panel as shown in the diagrams to ensure proper piping.  
Please do not let the panels slide off.



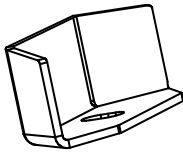
1. Peel off the protection sheet from the panel, then insert roof panel 1 (W) into short roof tube 2 (V) and long roof tube (T), then insert roof panel 2 (X) into short roof tube 2 (V) and long roof tube (T) as figure 1 shown.

Repeat the step for remaining roof panel (W, X).

Caution: Follow the directions of the panel as shown in the diagrams to ensure proper piping.

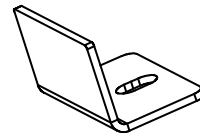
Please do not let the panels slide off.

AB

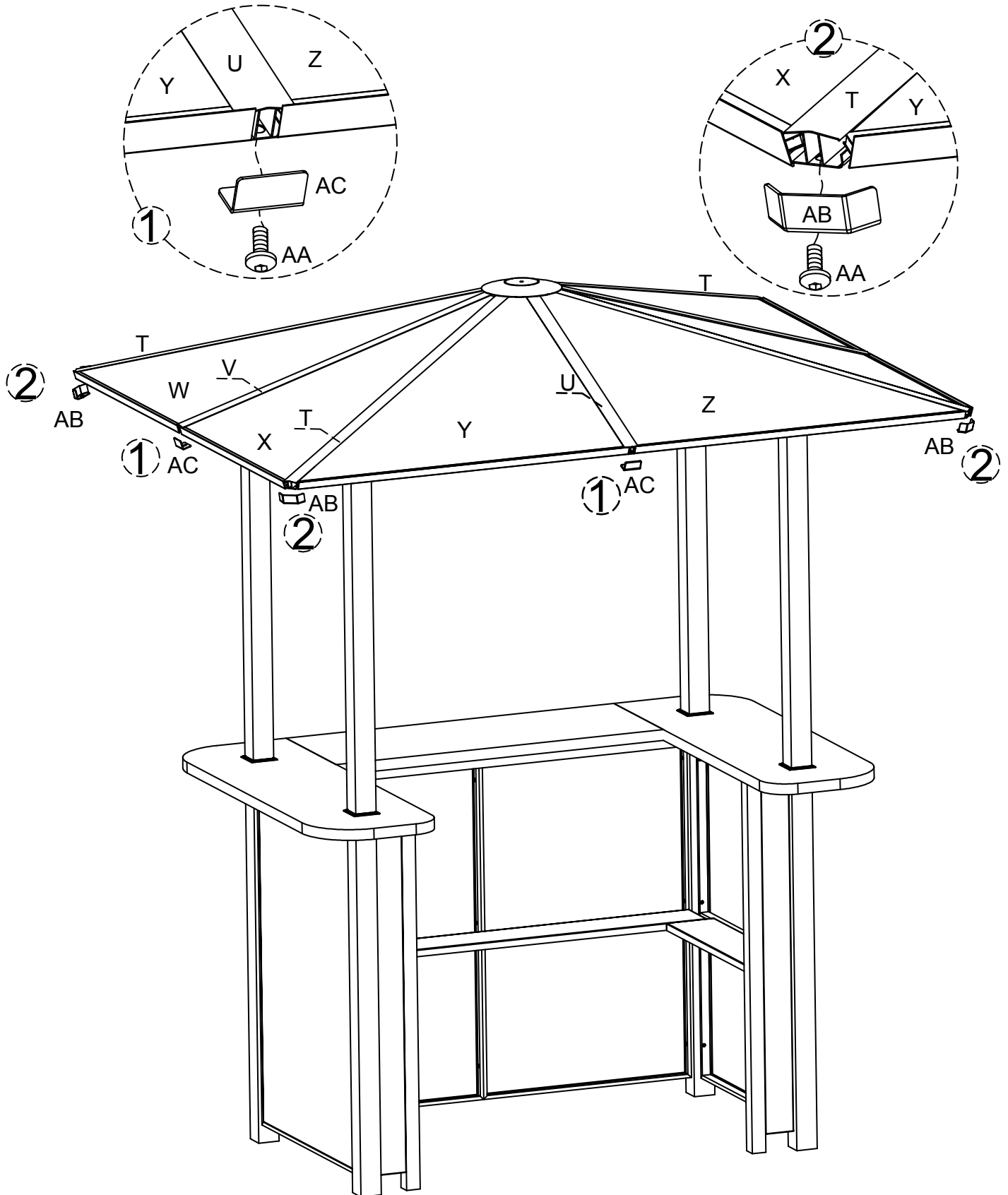


x 4

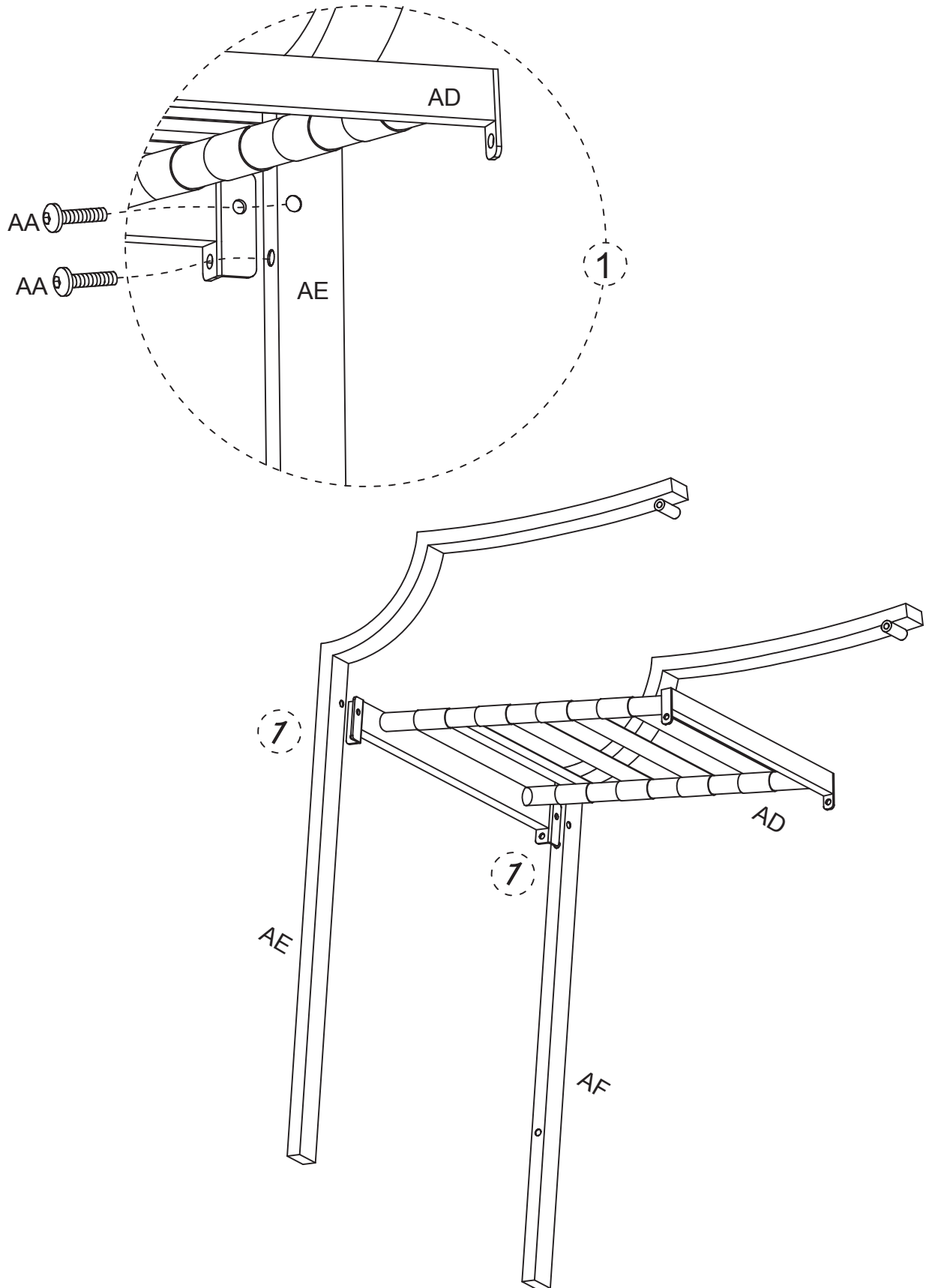
AC



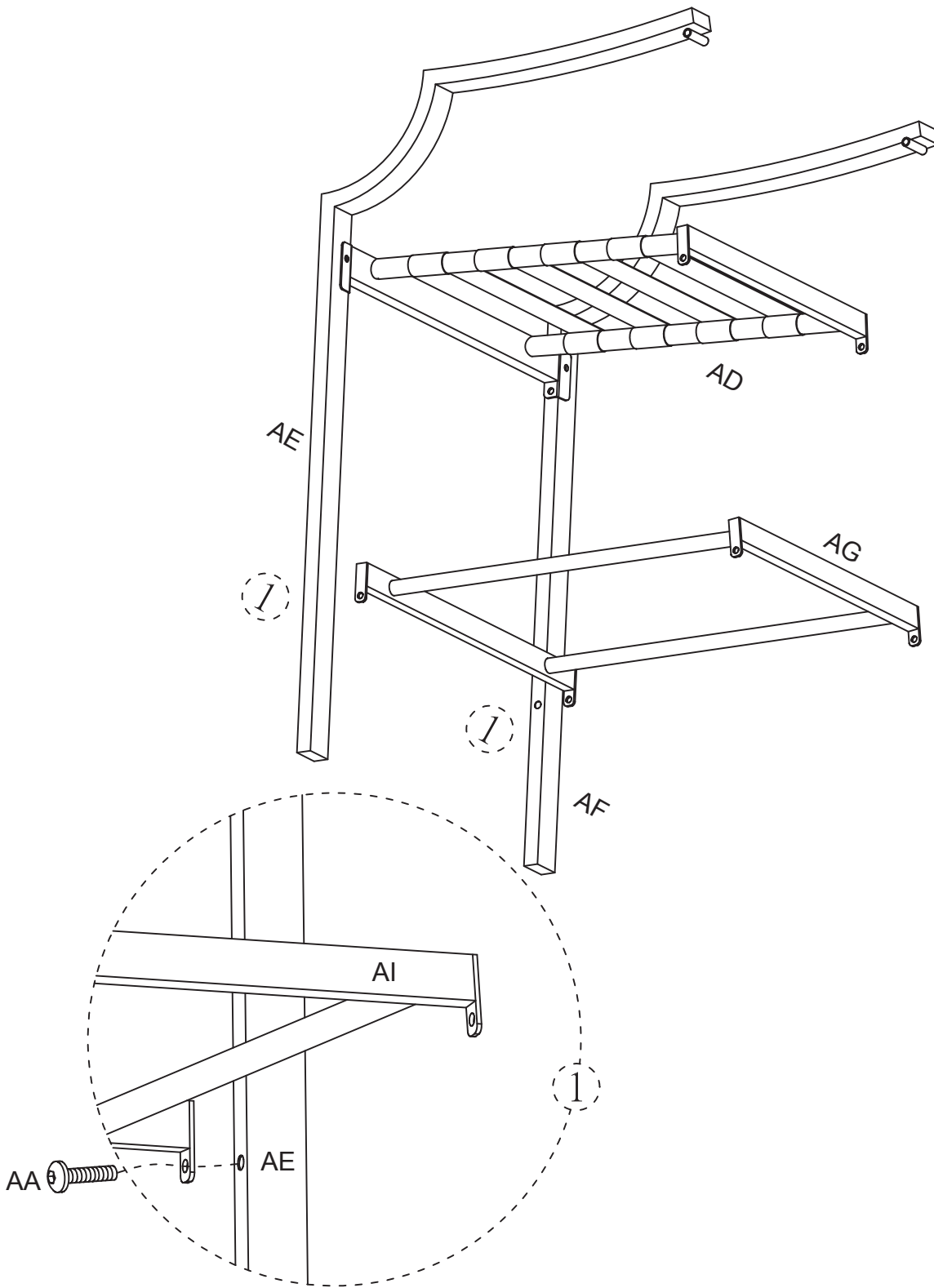
x 2



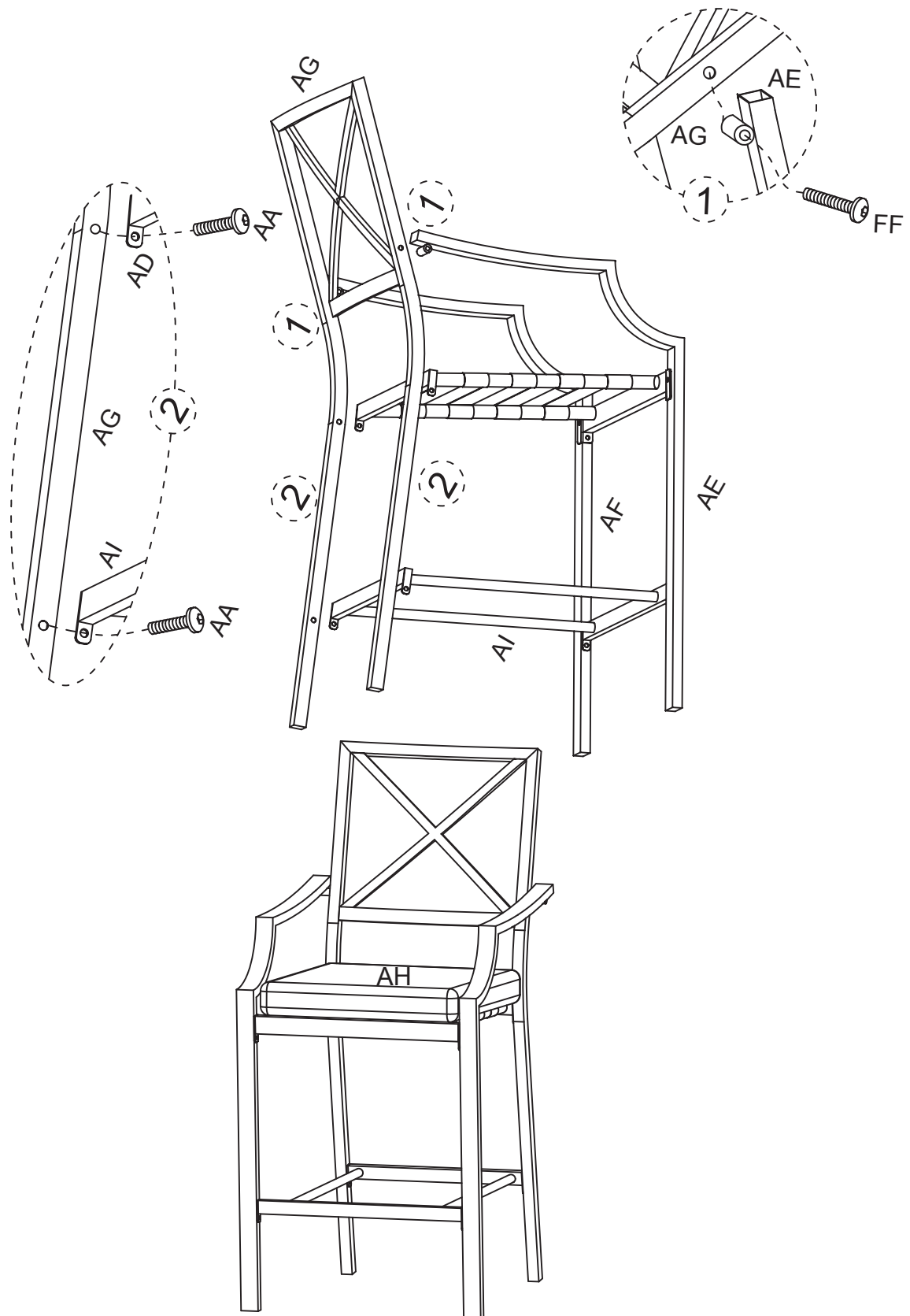
1. Insert screw 1 (AA) through corner connector (AB), secure with long roof tube (T) as figure 2 shown.
2. Insert screw 1 (AA) through center connector (AC) secure with short roof tube 1 (U). Then insert screw 1 (AA) through center connector (AC) secure with short roof tube 2 (V) as figure 1 shown. Repeat for remaining corner connector (AB) and center connector (AC).



1. Insert screw 1 (AA) through seat frame (AD) secure with left armrest (AE) as figure 1 shown. Repeat for right armrest (AF).



1. Insert screw 1 (AA) through connector bracket (AI) secure with left armrest (AE) as figure 1 shown. Repeat this step for other side of connector bracket (AI).



1. insert screw 6 (FF) through left armrest (AE) secure with backrest (AG) , then insert screw 6 (FF) through right armrest (AF) scure with other side of backrest (AG) as figure 1 shown.
2. Insert screw 1 (AA) through seat frame (AD) secure with backrest (AG), then insert screw 1 (AA) through connector bracket (AI) secure with backrest (AG) as figure 2 shown.
3. Tighten all screws and place the chair cushion (AH) on the chair as shown.

# USER MAINTENANCE INSTRUCTIONS:

- In preparation for winter storage, remove leaves and dirt. Store in dry place.
- Treat the frame periodically with liquid wax for maximum protection against UV rays and moisture.
- Wash cushions with a mild solution of soap and water; rinse thoroughly. Dry completely and drip-dry cushions. Do not use bleach or solvents.

Bond Vast Industrial Limited  
Bao Tang Industrial Jing Lian  
Chiao Tou Town Dong Guan City  
Guang Dong Province  
China 523 538

sears

Please refer to part numbers when reordering

For questions or comments about product:

Email: [customerservice@bondvast.com](mailto:customerservice@bondvast.com) or Call toll-free: 1-800-961-9838

Made in / Hecho en CHINA

Distributed by Sears, Roebuck and Co., Hoffman Estates, IL 60179  
[sears.com](http://sears.com)

See our extensive assortment of outdoor living products  
on-line at [www.sears.com](http://www.sears.com) and [www.kmart.com](http://www.kmart.com)