

---

# Owner's Manual

9 x 10 Pergola With Heavy Duty Posts

Product Code: D71 M34471

UPC Code: 749241314131

Date of purchase: \_\_\_\_/\_\_\_\_/\_\_\_\_

## **SAFETY INFORMATION**

Please read and understand this entire manual before attempting to assemble, operate or install the product. If any parts is missing or damaged, do not attempt to assemble the product.

Two to four people are needed for assembly.

In order to avoid damage to the shelter and its components, use appropriate tools. Do not use the structure as a support.

Check all screws on a regular basis to maintain the solidity of the structure.

Keep instructions and parts list for further use.

Estimated Assembly Time: Approx. 2 - 4 hours

Tools required for Assembly (not included): Ladder, 5 ft. (at least 5 ft. during assembly).

## **WARNING**

### **KEEP ALL FLAME AND HEAT SOURCES AWAY FROM TENT FABRIC.**

This tent meets the flammability requirements of CPAI-84. The fabric may burn if left in continuous contact with any flame source. The application of any foreign substance to the tent fabric may render the flame-resistant properties ineffective.

## **CAUTION**

Do not leave outside during high winds, heavy rains or snow.

The canopy must be removed for winter storage.

Attach gazebo to wood or concrete deck or patio.

## **WARRANTY**

1 year limited warranty.

Limited warranty applicable on parts only. Warranty extends solely to the original purchaser, who must offer the original sales receipt for record.

## **EXCLUDED**

Damages due to vandalism, abuse and wrong use of the product is not covered by the warranty.

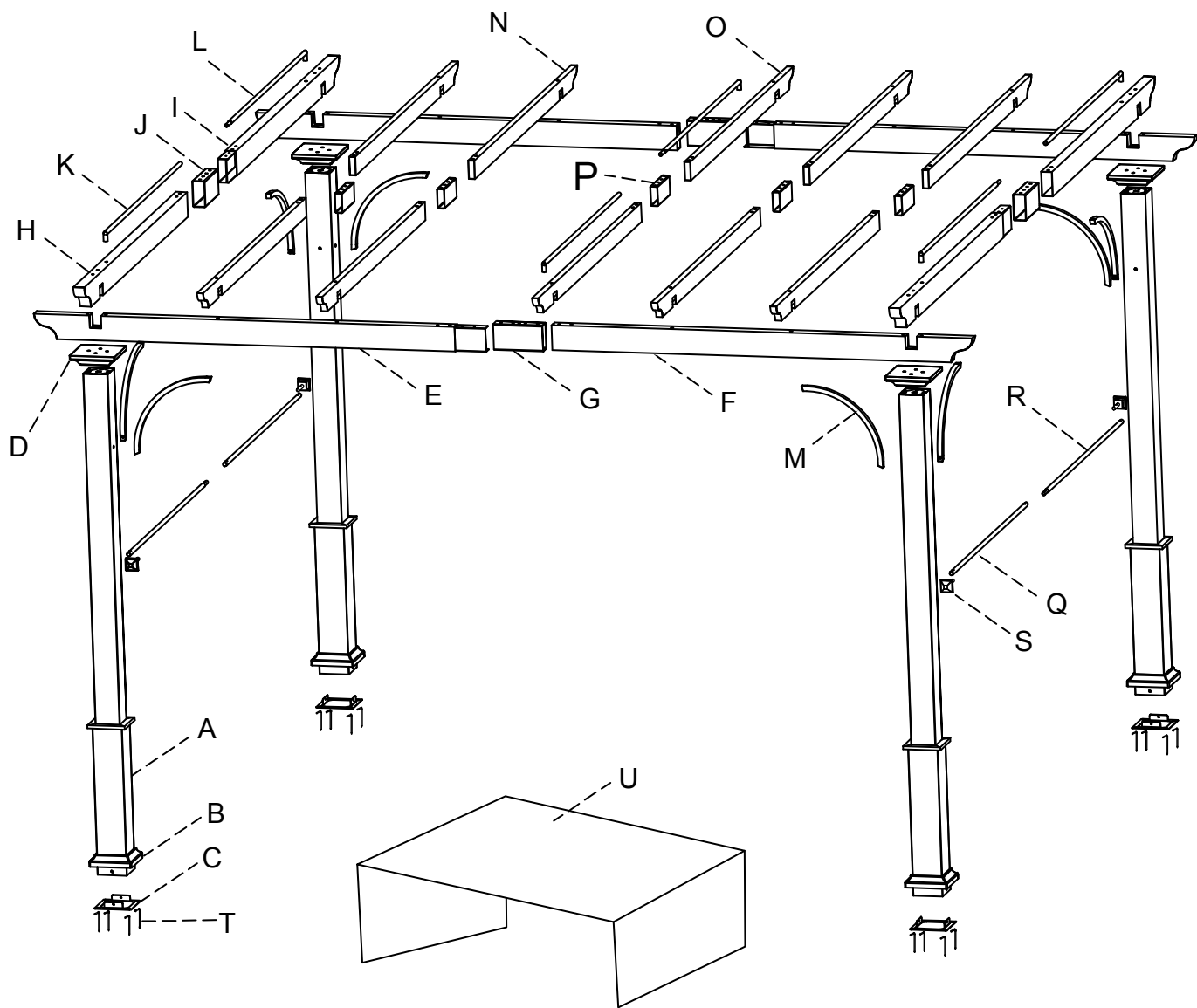
Damages due to extreme weather conditions such as thunderstorm and windstorm.

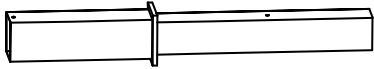




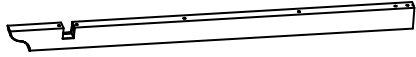
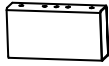
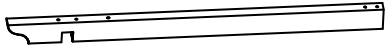
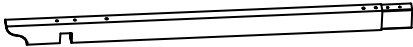







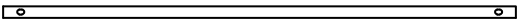
## **MAINTENANCE**

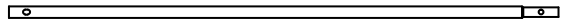
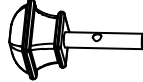

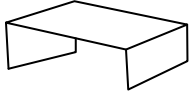
If this shelter needs repairs, **DO NOT RETURN THE PRODUCT TO SEARS.**

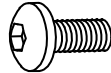

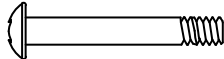
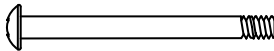

Please contact Bond Vast at 1-800-961-9838, 9AM ~ 5PM, Pacific Time Zone, Monday - Friday.

Or email us: [customerservice@bondvast.com](mailto:customerservice@bondvast.com).

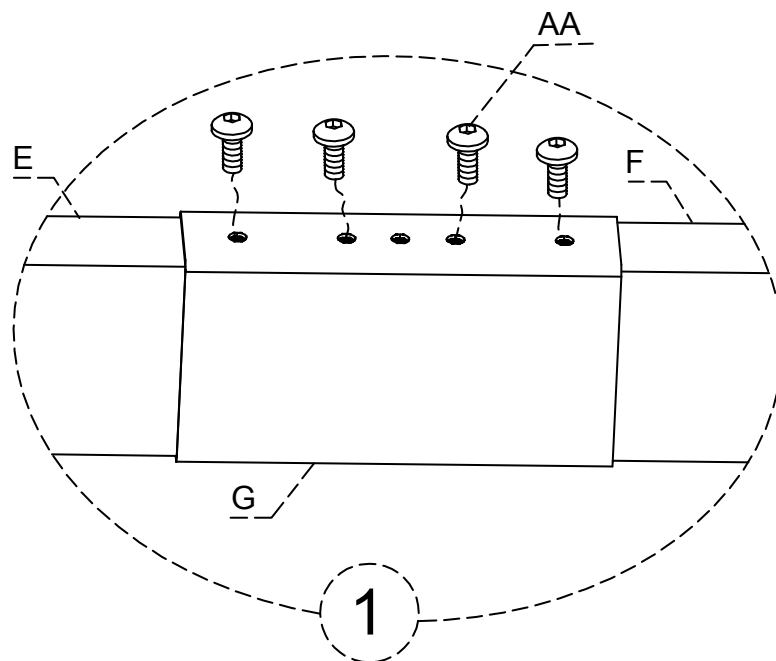
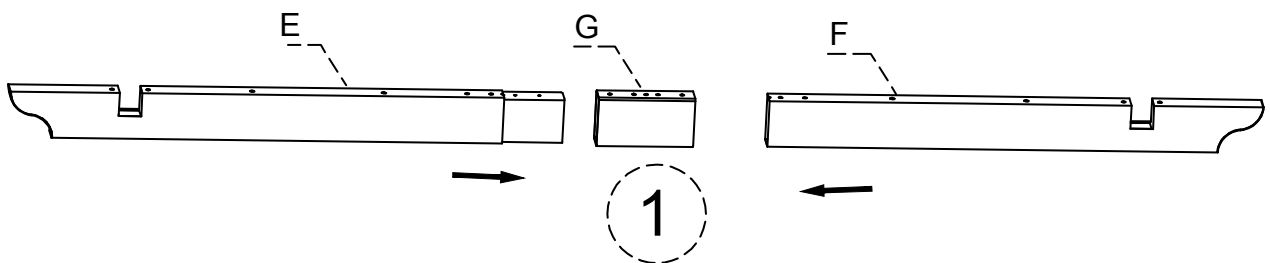
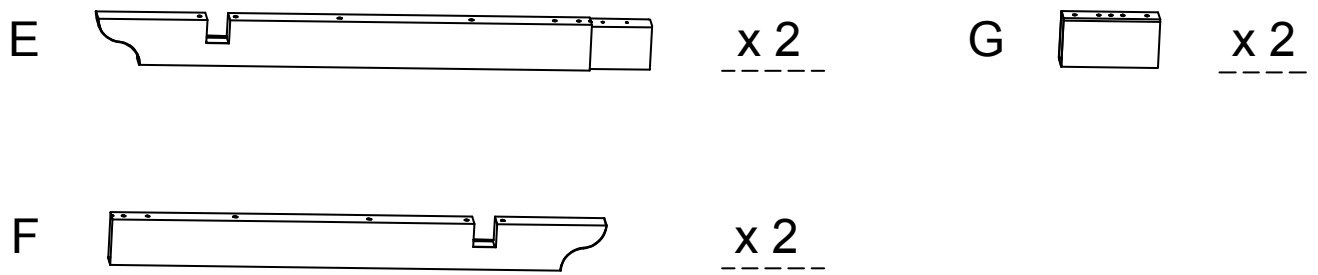


Part	Description	Qty	Illustration
A	Post	4	
B	Base Cap	4	
C	Base Flange	4	
D	Upper Cap	4	
E	Long Crossbar 1	2	
F	Long Crossbar 2	2	
G	Outer Connector 1	2	
H	Short Crossbar 1	2	
I	Short Crossbar 2	2	
J	Outer Connector 2	2	
K	Fixed Strip 1	3	
L	Fixed Strip 2	3	
M	Support Bar	8	
N	Roof Tube 1	8	
O	Roof Tube 2	2	
P	Roof Out Connector	5	
Q	Steel Strip	2	

Part	Description	Qty	Illustration
R	Steel Strip 2	2	
S	Finial	4	
T	Stake	16	
U	Canopy	1	

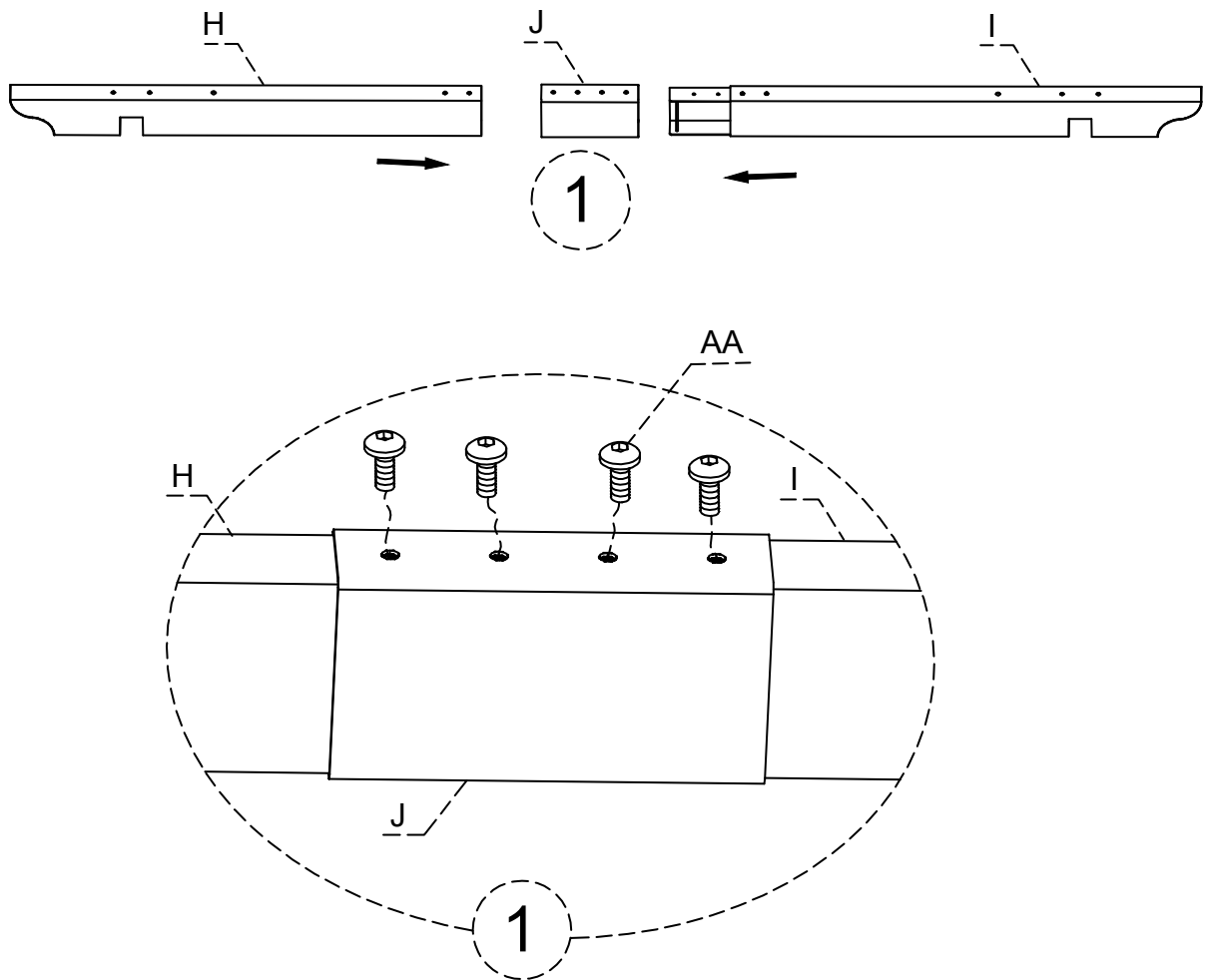
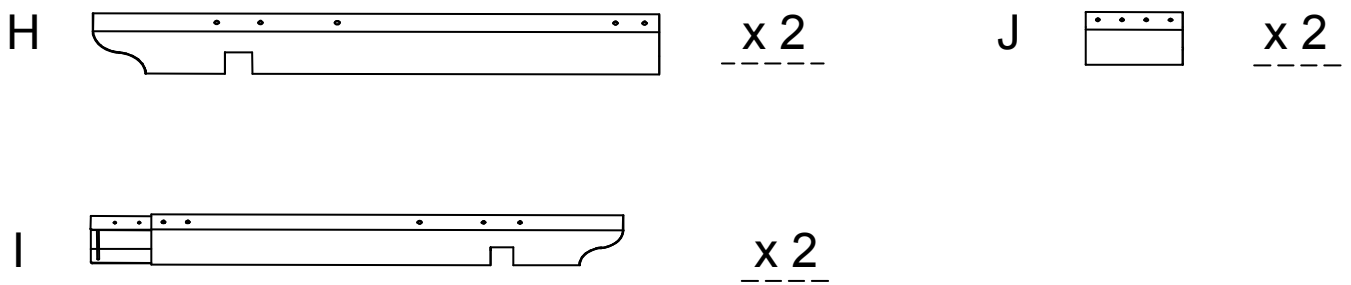
Part	Description	Qty	Illustration
AA	Screw M6 x 15mm	44	
BB	Screw M6 x 35mm	16	
CC	Screw M6 x 55mm	16	
DD	Screw M6 x 115mm	16	
EE	Allen Wrench	1	





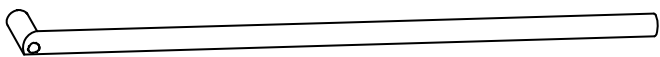
## Step 2

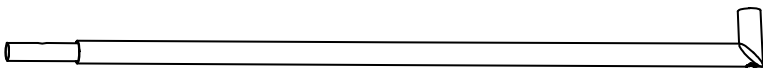
1. Insert long crossbar (E, F) between outer connector (G), then secure by screw M6 x 15mm (AA). Repeat for remaining long crossbar E and F. Tighten all the screws after all on position.



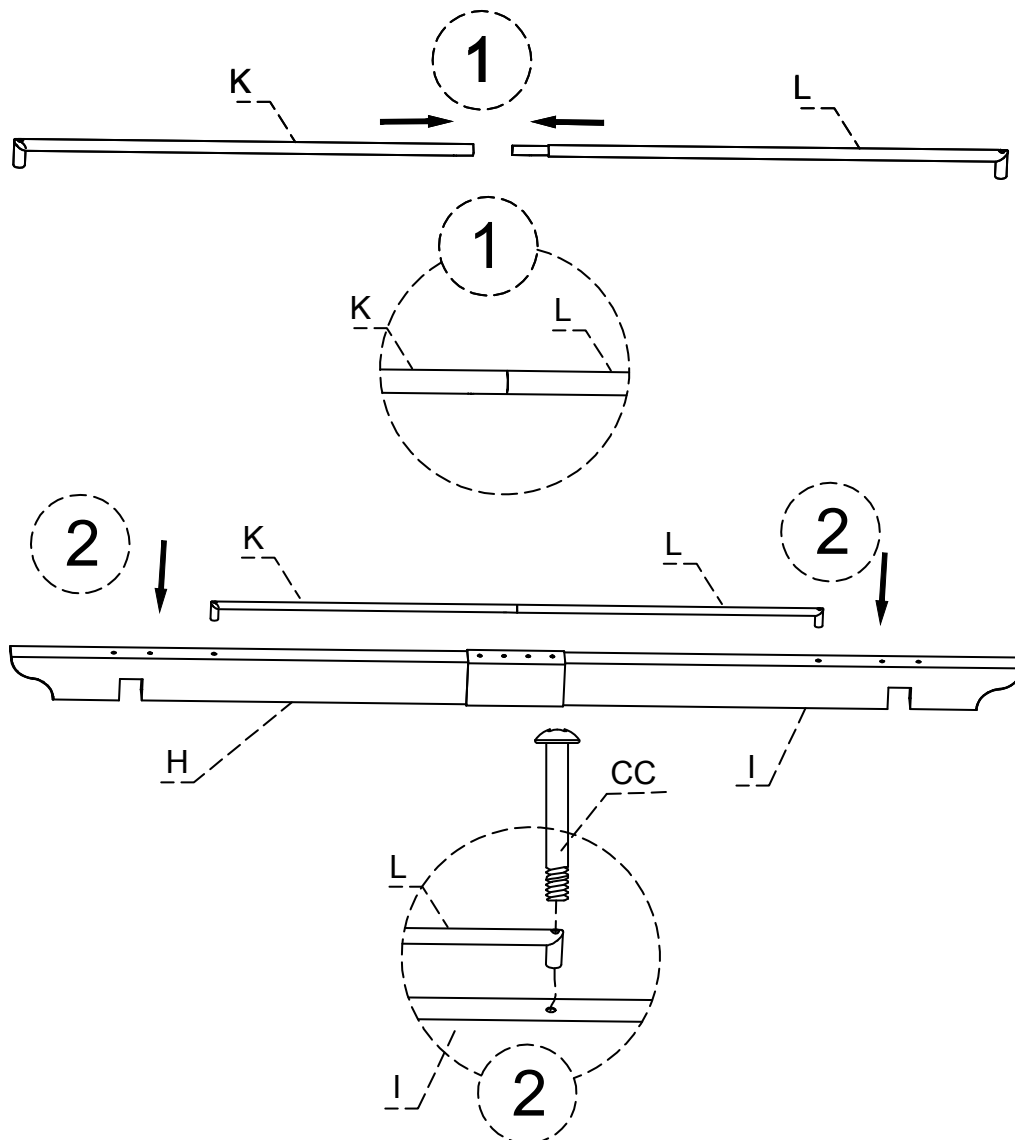
Step 3

1. Insert short crossbar (I, H) in between outer connector 2 (J), then screw by M6 x 15mm (AA) of outer connector 2 (J), secure with four screw 1 (AA) as shown. Repeat for remaining short crossbar I and J. Tighten all the screws after all on position.

K  x 2

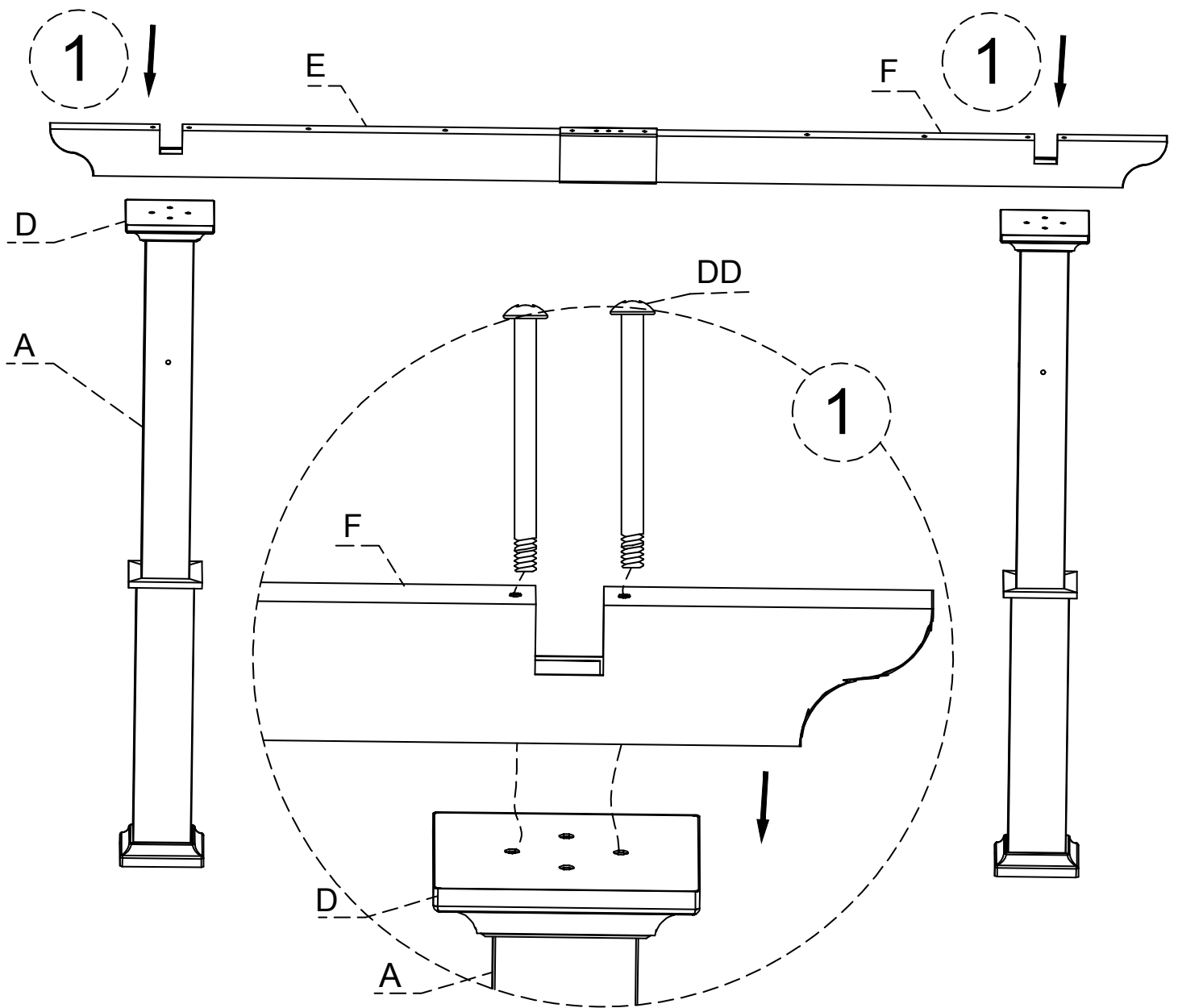
L  x 2

---



#### Step 4

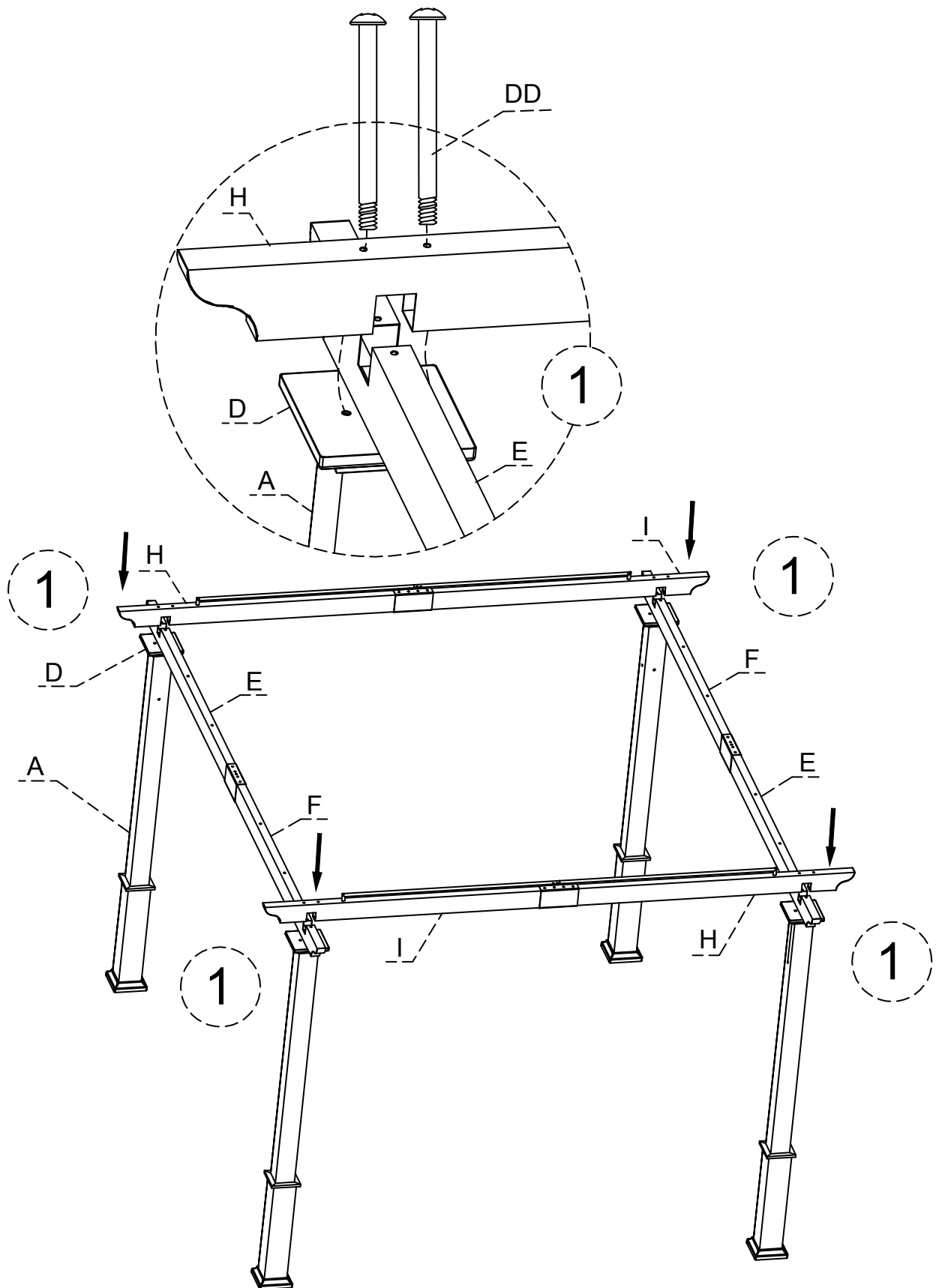
1. Insert fixed strip 2 (L) into fixed strip 1 (K).
2. Insert M6 x 55mm (CC) through fixed strip 2 (L) secure with short crossbar 2 (I), then insert M6 x 55mm (CC) through fixed strip 1 (K) secure with short crossbar 1 (H) as figure 2 shown..



Step 5

**You need 3 persons for this step.**

1. Place the assembled long crossbar set (E, F) over the post A, then secure long crossbar set (E, F) with post A by using screw (DD) as figure 1 shown. Repeat for other assembled long crossbar set (E, F).



Step 6

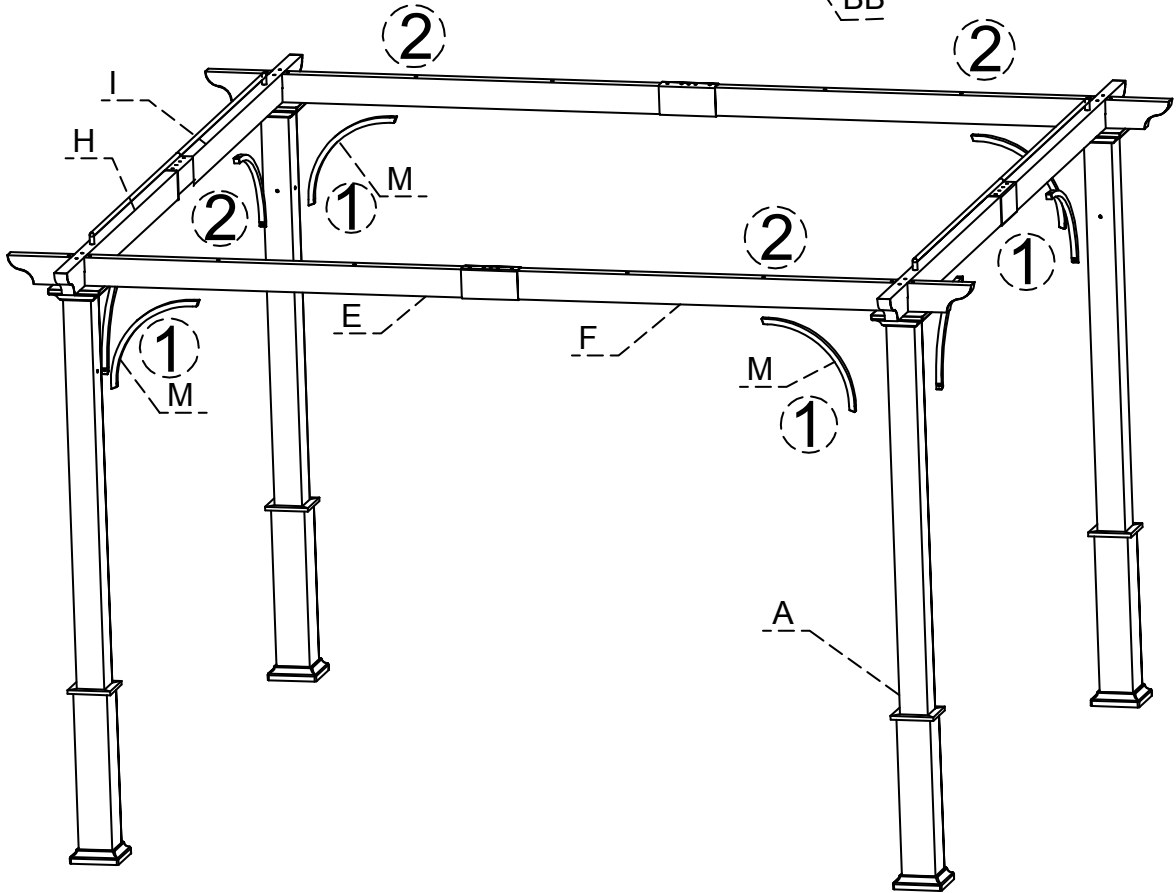
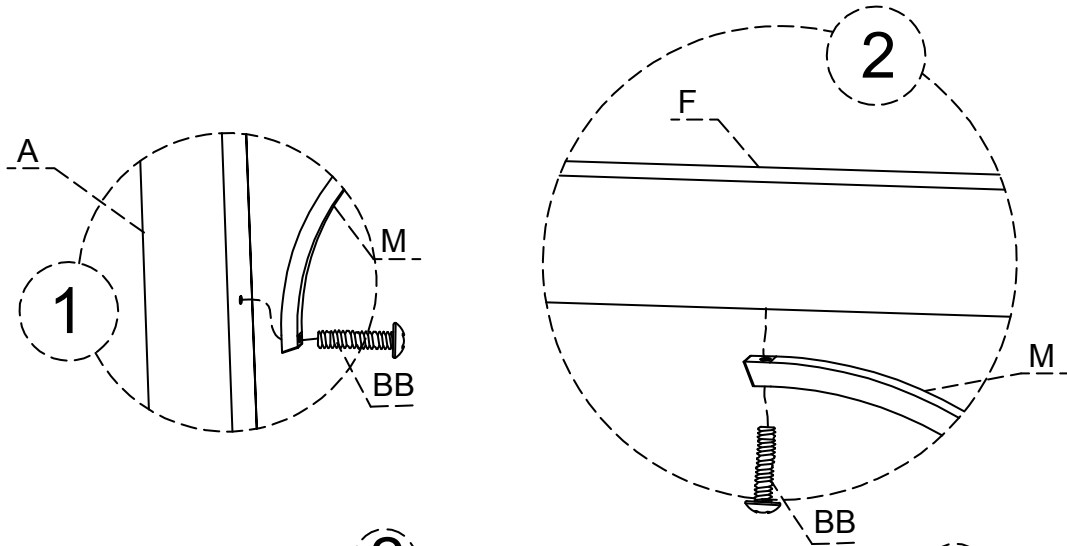
**You need 3 persons for this step.**

1. Place the assembled short crossbar set (H, I) onto the long crossbar set (E, F), then secure short crossbar (H, I) with post (A) by using screw (GG) as figure 1 shown. Repeat for other assembled short crossbar set (H, I)

M

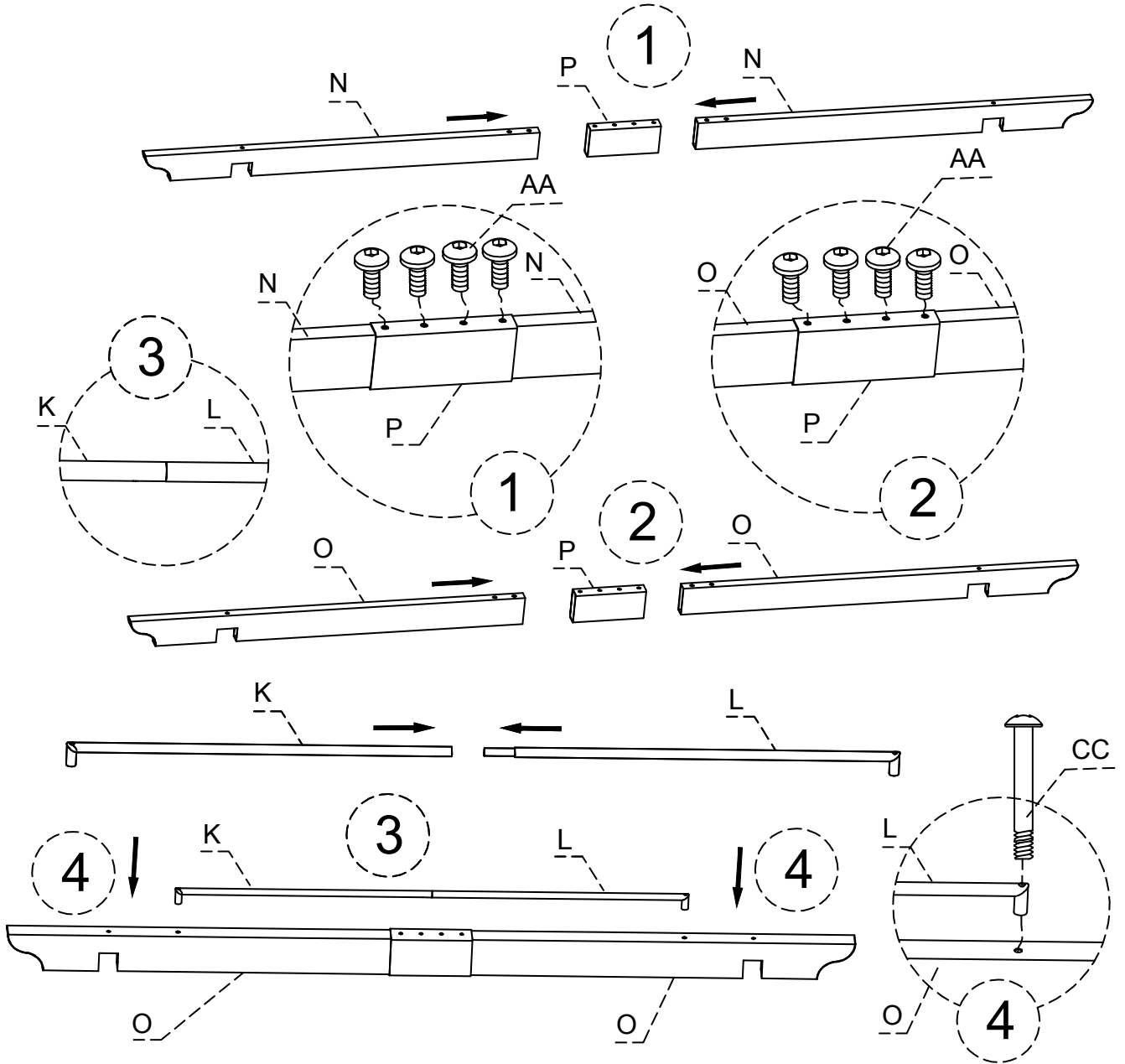
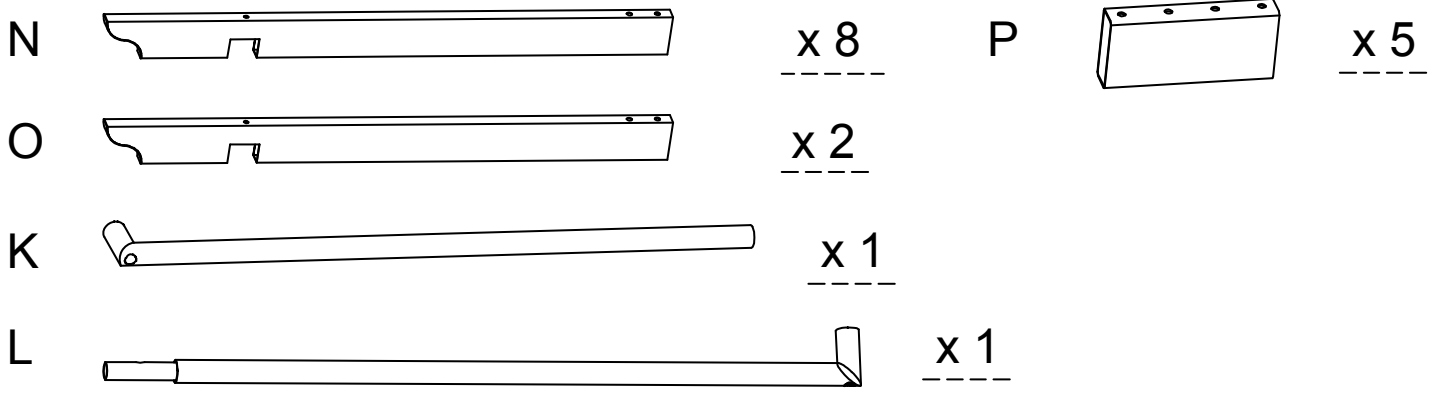


x 8



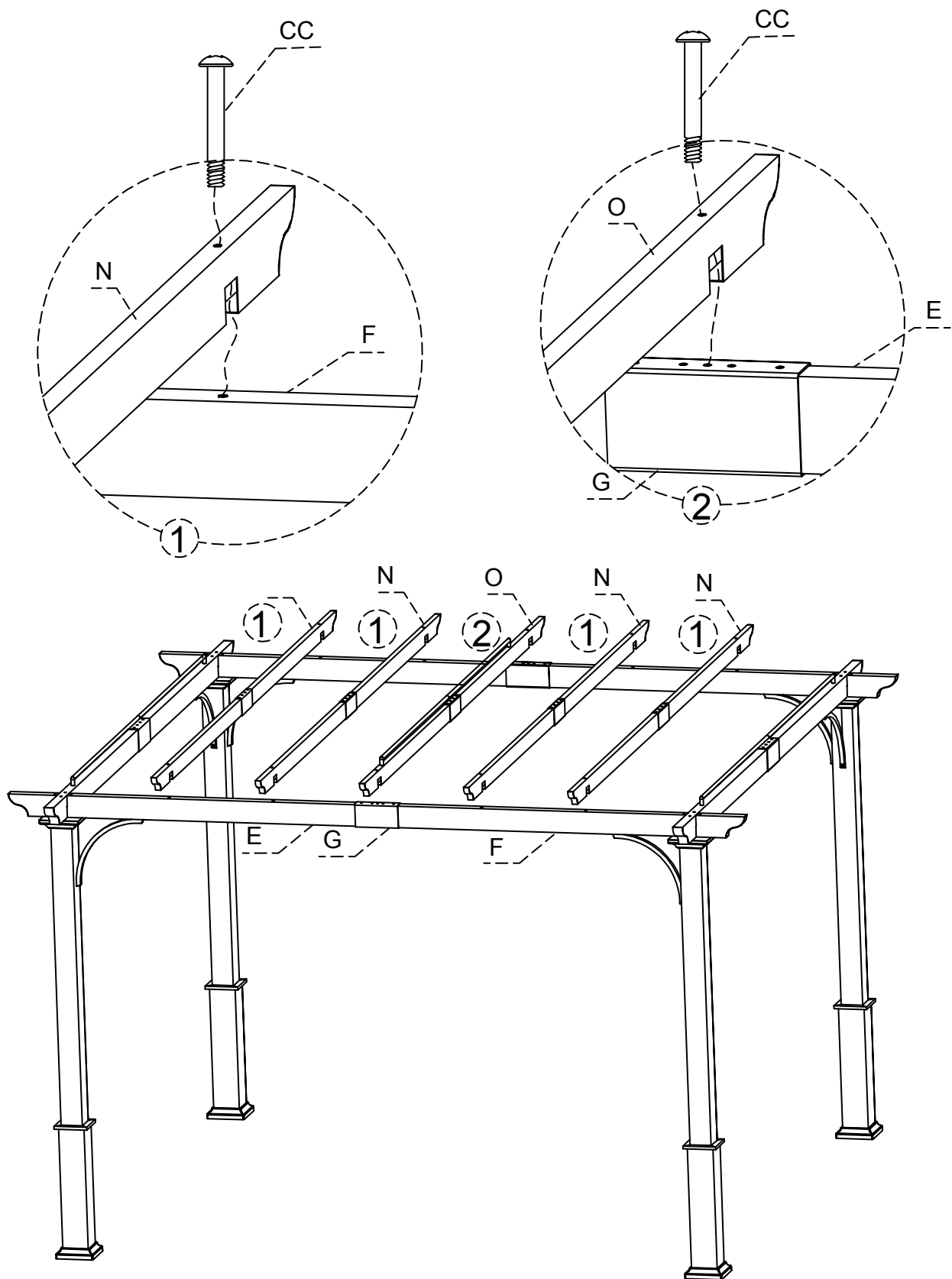
Step 7

1. Use screw (BB) to fix support bar (M) with post (A) as figure 1 shown, then use screw (BB) to fix other side of support bar (M) with crossbar (F) as figure 2 shown. Repeat for remaining support bar (M).




Step 8


1. Secure roof out connector (P) with roof tube 1 (N) by using screw (AA) as figure 1 shown. Repeat for remaining roof tube 1 (N) and roof out connector (P).
2. Secure roof out connector (P) with roof tube 2 (O) by using screw (AA) as figure 2 shown.
3. Insert fixed strip 2 (L) into fixed strip 1 (K). then Secure assembled fixed strip (K, L) on assembled roof tube (O) by using screw (CC) as figure 4 shown.

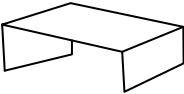


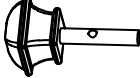
Step 9

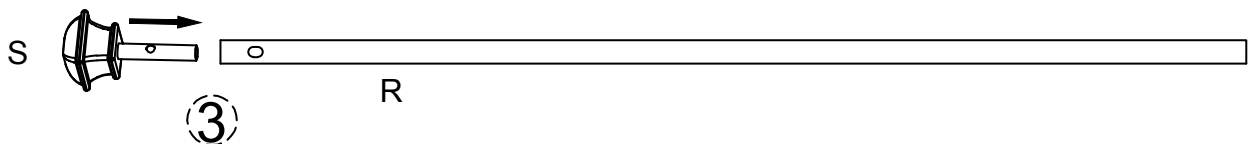
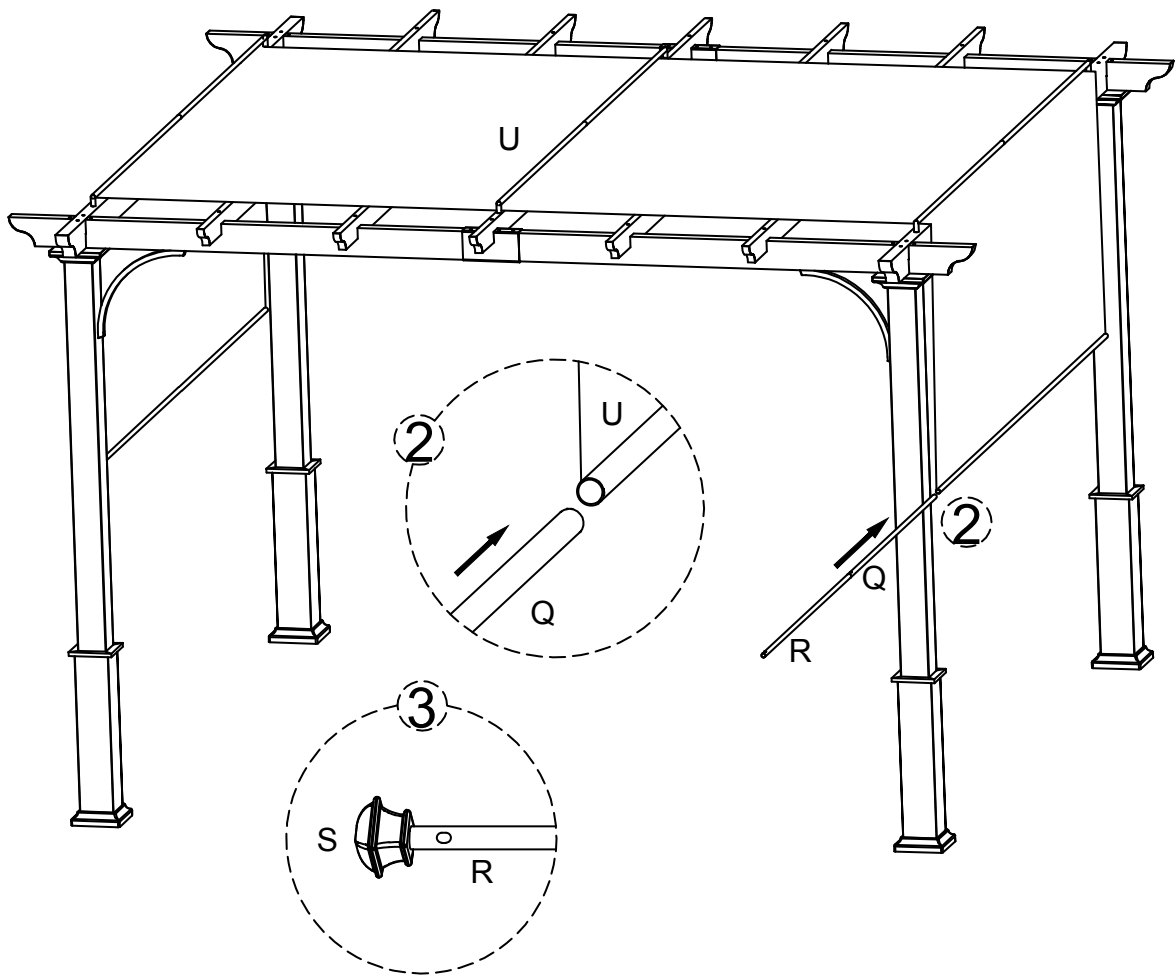
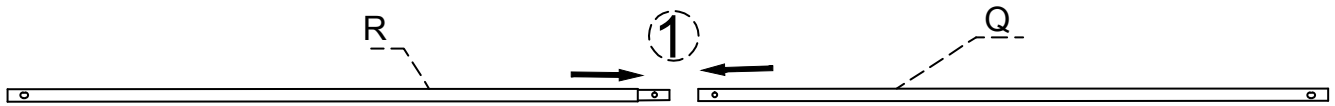
1. Place the assembled roof tube set (O) onto the assembled long crossbar sets (E, G, F), then secure both side of roof tube set (O) with assembled long crossbar set by using screw (CC) as figure 2 shown.
  2. Place the assembled roof tube set (N) onto the assembled long crossbar sets (E, G, F), then secure them by using screw (CC) as figure 1 shown.
- Repeat for remaining assemble roof tube sets (N).  
Then, tighten all screws at this step.

Q  x 2

R  x 2

U  x 1

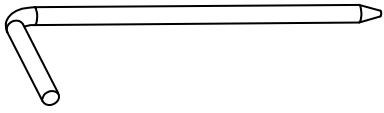
S  x 4



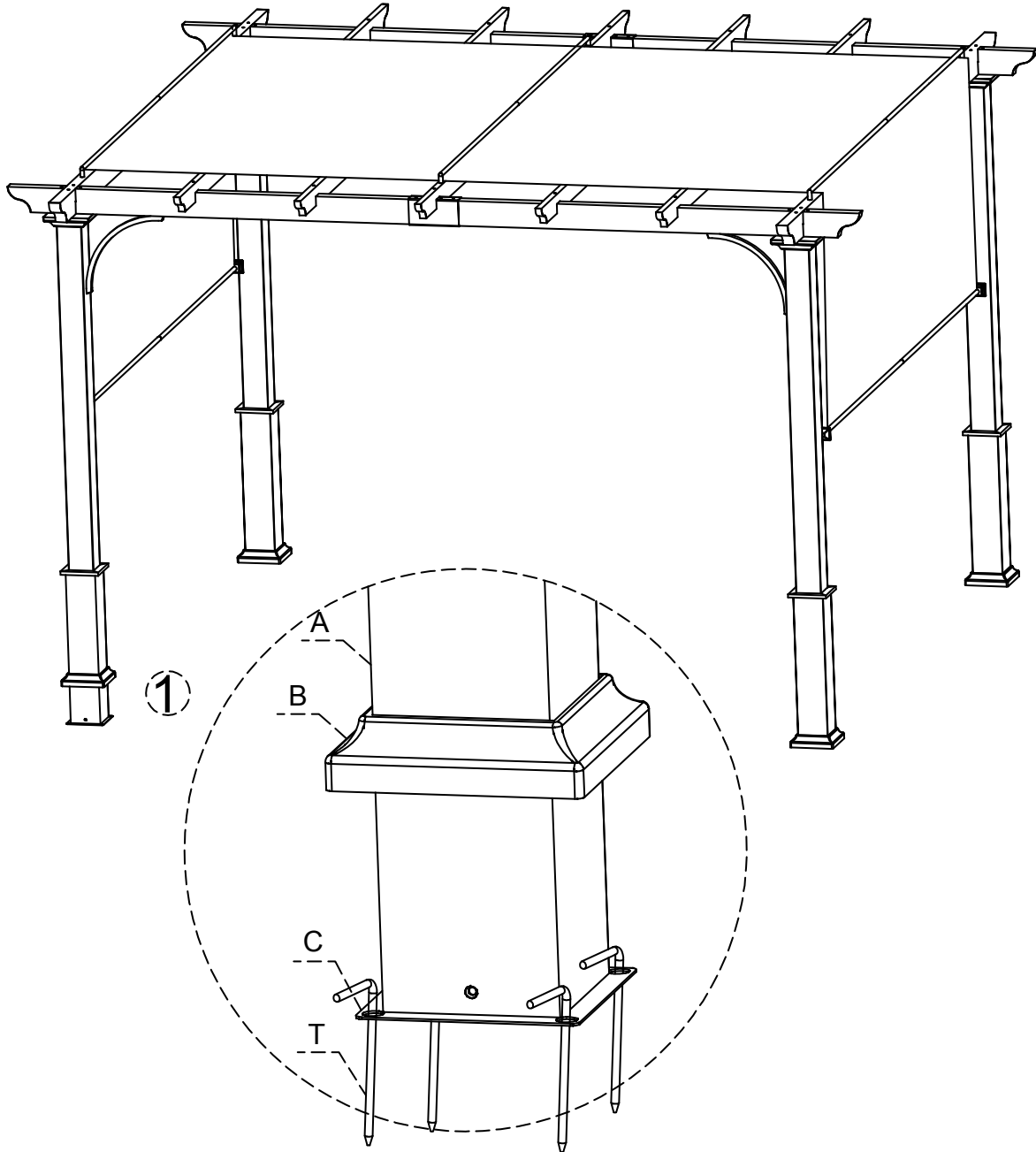
### Step 10

1. Insert steel strip 2 (R) into steel strip 1 (Q).
2. Put canopy (U) on top as figure shown.
3. Place the assembled steel strip (Q, R) into the canopy as figure 2 shown, then insert the finial (S) into the steel strip by button.

T



x 16



Step 11

1. Raise base cap (B) and place stakes (T) through base flange (C) into the ground.
2. Remove all gazebo assembly stickers.

# USER MAINTENANCE INSTRUCTIONS

- In preparation for winter storage, remove leaves and dirt, dry and wrap in polybag to prevent rusting.
- Store in dry place.
- Treat steel frame periodically with liquid wax for maximum protection.
- Poly fabric clean with a soft brush and lukewarm water, rinse thoroughly. Dry completely.
- Do not wash with soap as it may remove the protective coating added by the factory.

Bond Vast Industrial Limited  
Bao Tang Industrial Jing Lian  
Chiao Tou Town Dong Guang City  
Guang Dong Province  
China 523538

sears

Please refer to part numbers when reordering

For questions or comments about product:

Email: [customerservice@bondvast.com](mailto:customerservice@bondvast.com) or Call toll-free: 1-800-961-9838

Made in / Hecho en CHINA

Distributed by Sears, Roebuck and Co., Hoffman Estates, IL 60179

[sears.com](http://sears.com)

See our extensive assortment of outdoor living products  
on-line at [www.sears.com](http://www.sears.com) and [www.kmart.com](http://www.kmart.com)